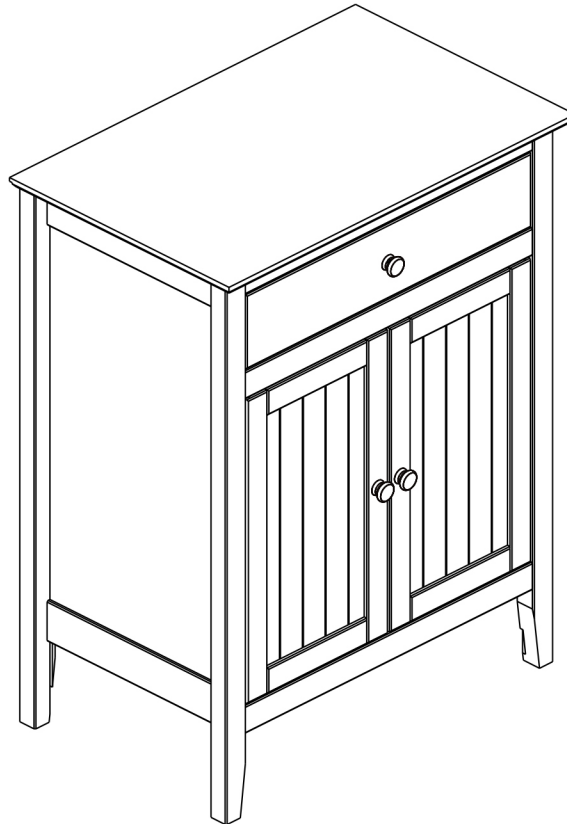


# ADEPTUS®

## ASSEMBLY INSTRUCTIONS

### Kitchen Buffet

#27182 - Pecan Finish



#### CUSTOMER SERVICE AND REPLACEMENT PARTS:

FOR FASTER SERVICE ON PARTS OR HELP, PLEASE GO TO OUR WEBSITE AT [WWW.ADEPTUS.COM](http://WWW.ADEPTUS.COM);  
OR CALL TOLL FREE 1.888.ADEPTUS (1.888.233.7887) FOR ASSEMBLY QUESTIONS.  
MON-FRI 10 A.M. TO 4 P.M. E.S.T., CLOSED HOLIDAYS

#### IF YOU CALL, PLEASE HAVE ON HAND:

- PRODUCT NAME AND STOCK NUMBER
- WHEN AND WHERE THE UNIT WAS PURCHASED
- P.O. NUMBER FROM THE BOTTOM OF THIS PAGE

IF WE ARE BUSY HELPING OTHER CUSTOMERS, PLEASE LEAVE YOU NAME AND NUMBER  
TO RECEIVE A RETURN CALL.  
YOUR RETAILER MAY ALSO PROVIDE SERVICE OR PARTS.

#### HELPFUL OVERALL:

- SAVE THESE INSTRUCTION SHEETS AND THE BOX UNTIL YOU ARE SATISFIED WITH THE ASSEMBLY.
- DO NOT GLUE THE PARTS OF THE UNIT TOGETHER UNLESS YOU HAVE TESTED THE ASSEMBLY FIRST.
- PERFORM THE ASSEMBLY ON A CLEAN HARD SURFACE USING THE FLATTENED CARTON OR A TOWEL TO PROTECT THE SURFACE AND THE FINISH OF THE UNIT. DO NOT ASSEMBLE ON CARPET.

VISIT [WWW.ADEPTUS.COM](http://WWW.ADEPTUS.COM) TO REGISTER YOUR PRODUCT AND SEE THE  
COMPLETE ADEPTUS LINE. REGISTRATION IS REQUIRED FOR PARTS REQUESTS.

THANK YOU FOR YOUR PURCHASE AND WELCOME TO ADEPTUS!

NOTICE: THE WRITTEN INSTRUCTIONS CONTAINED HEREIN ARE COPYRIGHTED. © copyright all rights reserved

## Many People, One Thought

PROVIDING QUALITY SOLID WOOD FURNITURE AT AN AFFORDABLE PRICE HAS BEEN A GROUP EFFORT. FROM CONCEPT TO PRODUCT DESIGN, MANUFACTURING AND RETAILING, EACH AREA FOCUSES ON THE DETAILS THAT WILL ASSURE YOU A LOW PRICE. BUT NEVER AT THE EXPENSE OF FUNCTION, STYLING, OR GOOD SENSE.

A "READY - TO - ASSEMBLE" ITEM REDUCES TRANSPORTATION AND WAREHOUSING COSTS WHICH HELP YOUR RETAILER KEEP THEIR PRICES REASONABLE. NOW, YOU ARE JOINING "TEAM ADEPTUS" WITH THE FINAL STEP, ASSEMBLY.

• YOU ASSEMBLE, YOU SAVE •

**WELCOME TO ADEPTUS!**

---

### This is a **SOLID WOOD** product:

We inspect all wood, and follow guidelines to pass quality inspections. Solid wood furniture has knots, small cracks, and what may look like blemishes. These characteristics are a natural by product of producing furniture from natural material.

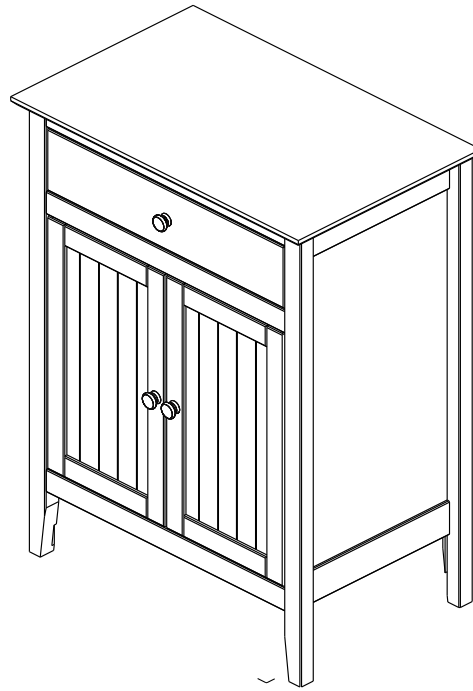
We take extra care with our drawer parts:

1. We use real wood drawers sides.
2. The drawer sides are not painted to help protect your clothes from chemical odors and residue.
3. Finely sanded drawer parts eliminate snags when storing your clothes.

  
**IMPORTANT**

Perform the entire assembly on a clean, hard surface using the flattened box or a towel to protect the surface and the unit's finish. **DO NOT** assemble on carpet.

Carpet creates too much bounce making assembly difficult and could lead to damage of the parts.



**PLEASE NOTE:**


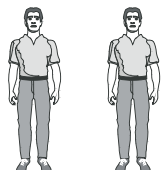

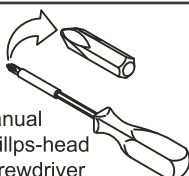
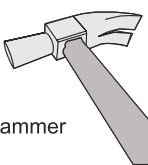
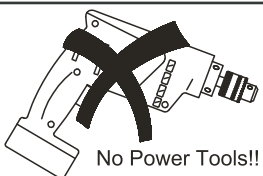
**DOWELS (PART A) VARY EVER SO SLIGHTLY. IF A DOWEL (PART A) IS LOOSE, WE PREFER YOU CALL OUR TOLL FREE NUMBER FOR ADDITIONAL DOWELS - VS GLUING THE DOWEL.**




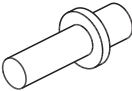



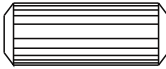
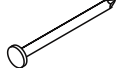



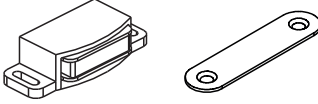
**IF YOU CHOOSE TO GLUE THE PARTS, COMPLETELY TEST THE ASSEMBLY FIRST. WE DO NOT SUPPLY GLUE.**

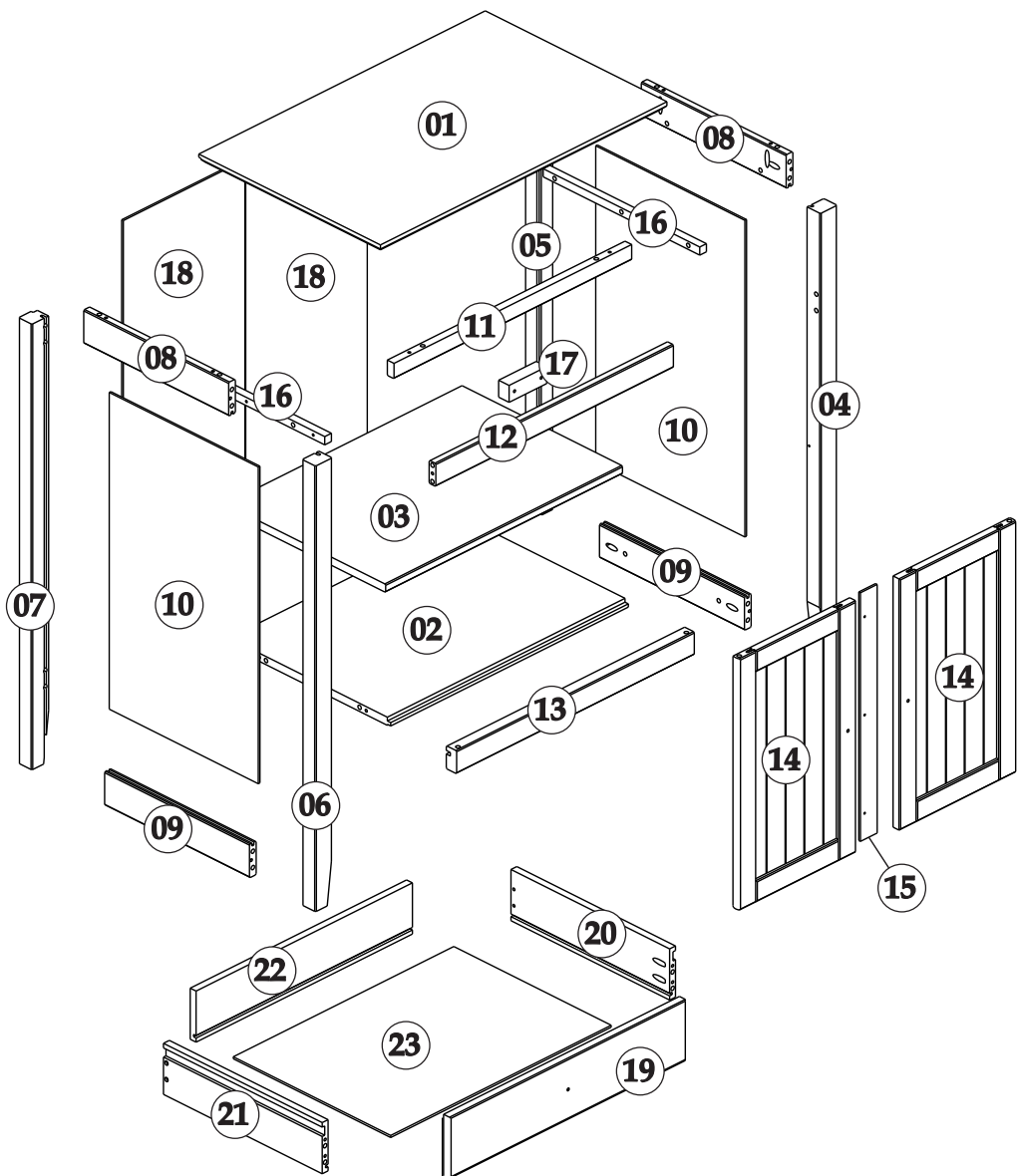
**Safety and Care Advice**

- Check you have all the components and tools listed on pages 3 & 4.
- Remove all fittings from the plastic bags and separate them into their groups.
- Keep children and animals away from the work area, small parts could choke if swallowed.
- Make sure you have enough space to layout the parts before starting.
- Do not stand or put weight on the product, this could cause damage.
- Assemble the item as close to its final position (in the same room) as possible.
- Opened box can be used to protect your floor or counter during assembly.
- Assembly is easier for drawer parts on a counter.
- Parts of the assembly will be easier with 2 people.
- We do not recommend the use of power drill/drivers for inserting screws, as this could damage the unit.
- Only use hand screwdrivers.
- Dispose of all packaging carefully and responsibly.

**These tools are not supplied by the manufacturer.**

		 35 min	 Manual Phillips-head Screwdriver	 Hammer	 <b>No Power Tools!!</b>
---	---	---	---	--	--

A		34	H		06
B		22	I		02
C		15	J		02
D		03	K		04
E		22	L		02
F		06	M		11
G		01			

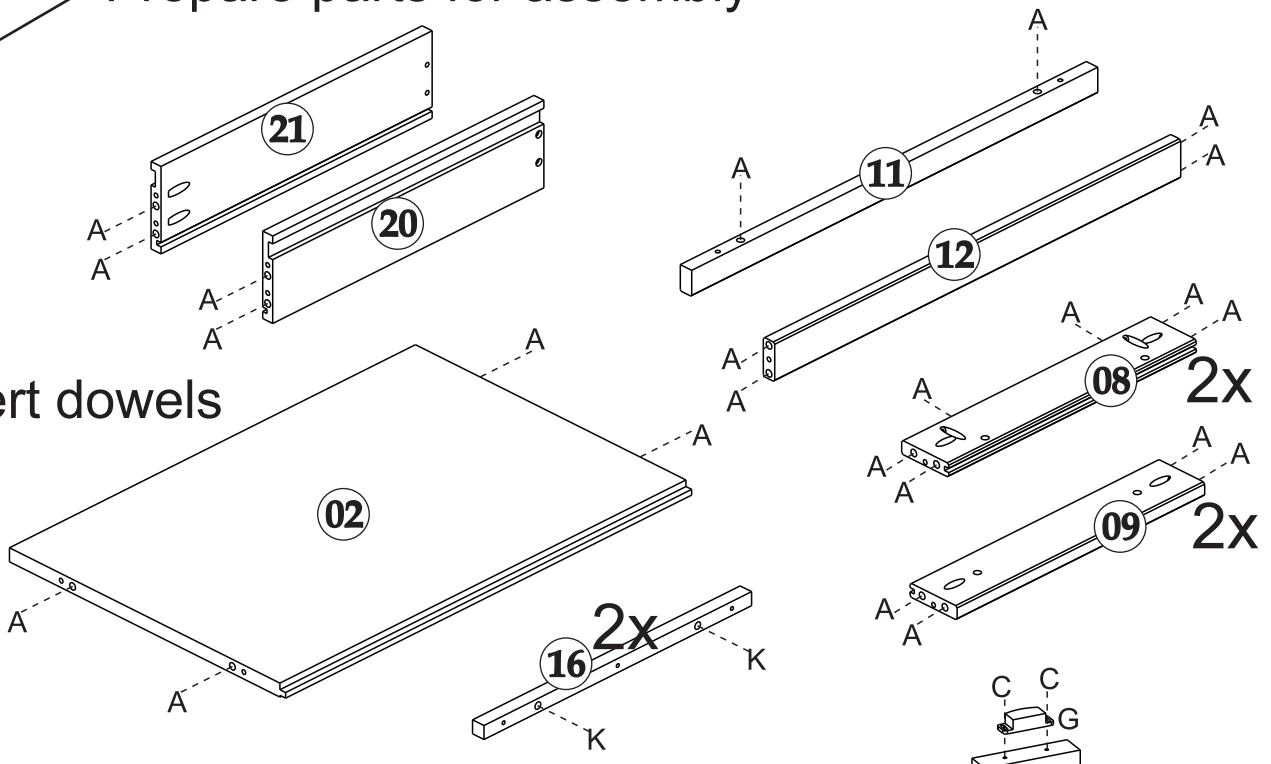


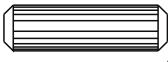

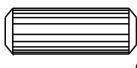

1	Top
2	Bottom shelf
3	Center shelf
4	Right front leg
5	Right rear leg
6	Left front leg
7	Left rear leg
8	Side top crossbars
9	Side bottom crossbars
10	Side panels
11	Front top crossbar
12	Front center crossbar
13	Front bottom crossbar
14	Front doors
15	Door closing strip
16	Drawer runners
17	Door latch base
18	Back panels
19	Drawer front
20	Right drawer side
21	Left drawer side
22	Drawer back
23	Drawer bottom

# 01

## Prepare parts for assembly

Insert dowels

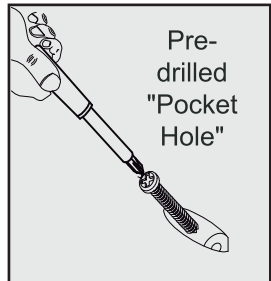
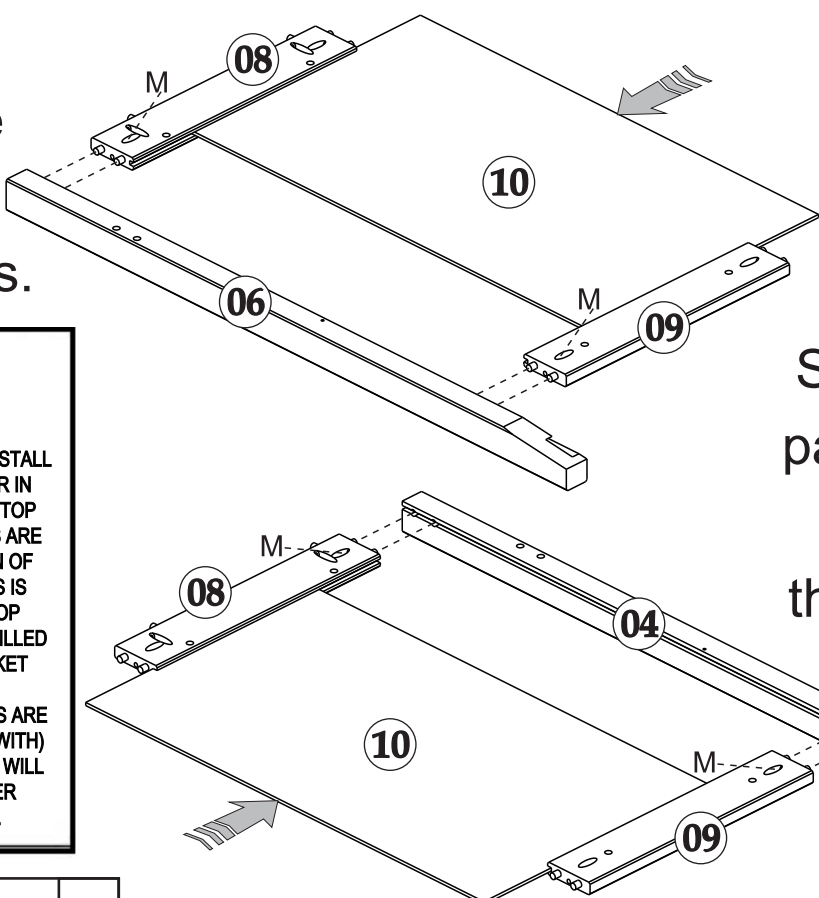


A		34	C		02
K		04	G		01
	Ø8x30mm			Ø3,0x16mm	
	Ø8x20mm				

Attach magnetic latch to the base.


# 02

Attach side crossbars to front legs.



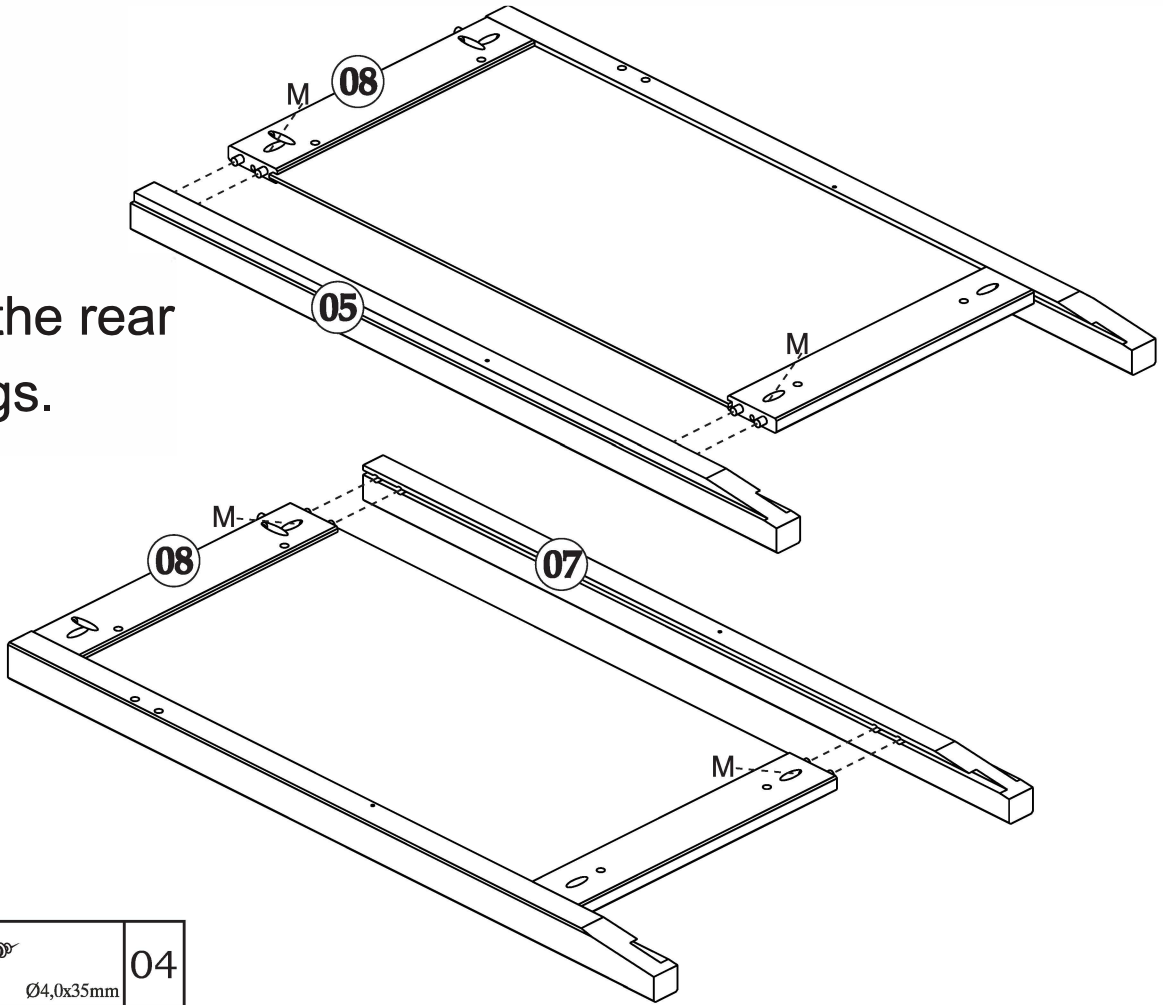
Slide the side panels into the grooves on the crossbars.


**!**  
IT IS CRITICAL THAT YOU INSTALL THE CORRECT CROSSBAR IN THE CORRECT POSITION. TOP AND BOTTOM CROSSBARS ARE NOT ALIKE. THE POSITION OF THE PRE-DRILLED HOLES IS DIFFERENT ON EACH. TOP CROSSBARS HAVE PRE-DRILLED HOLES BELOW THE POCKET HOLES. ON BOTTOM CROSSBARS, THESE HOLES ARE IN THE CENTER (ALIGNED WITH) THE POCKET HOLES. THIS WILL BE CRUCIAL TO PROPER ASSEMBLY LATER ON.

M		04
	Ø4,0x35mm	

03

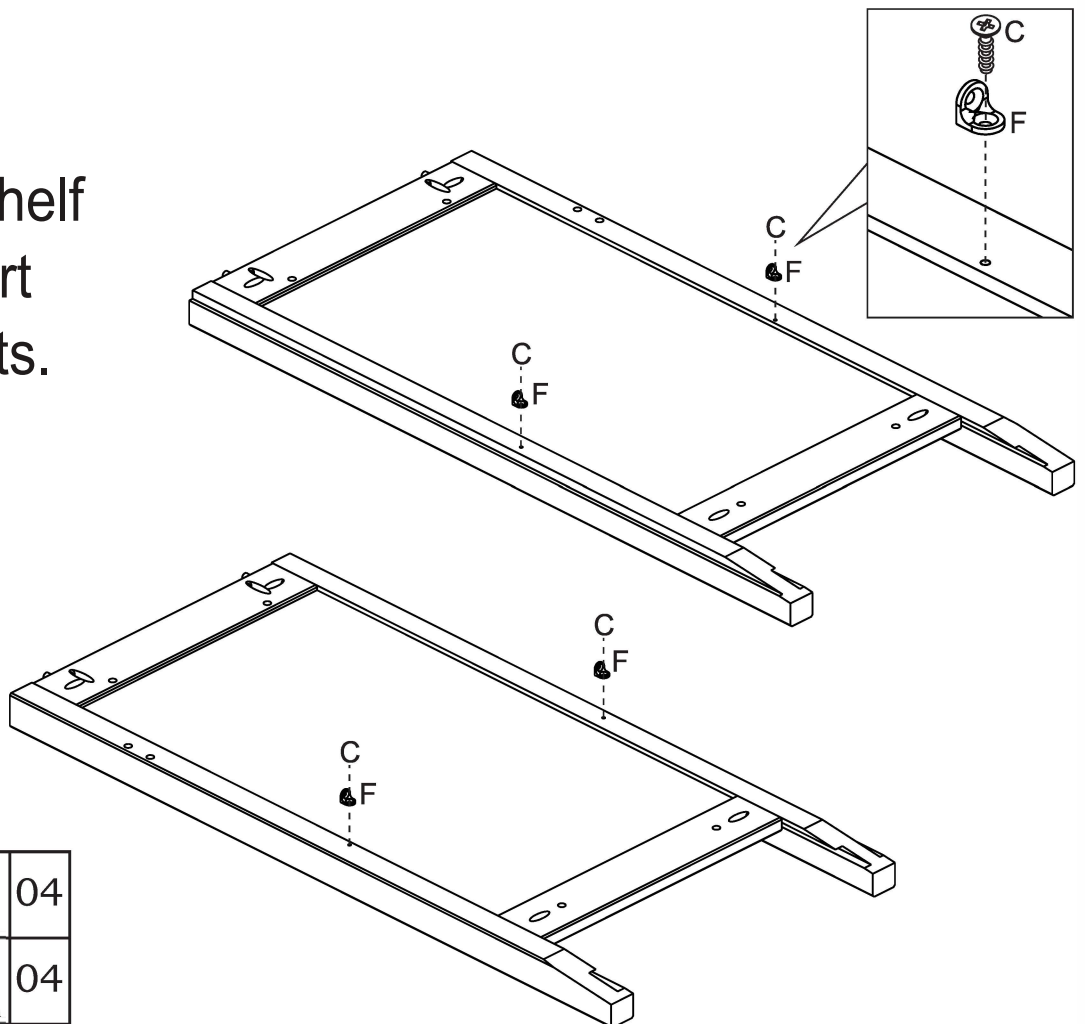
Attach the rear legs.





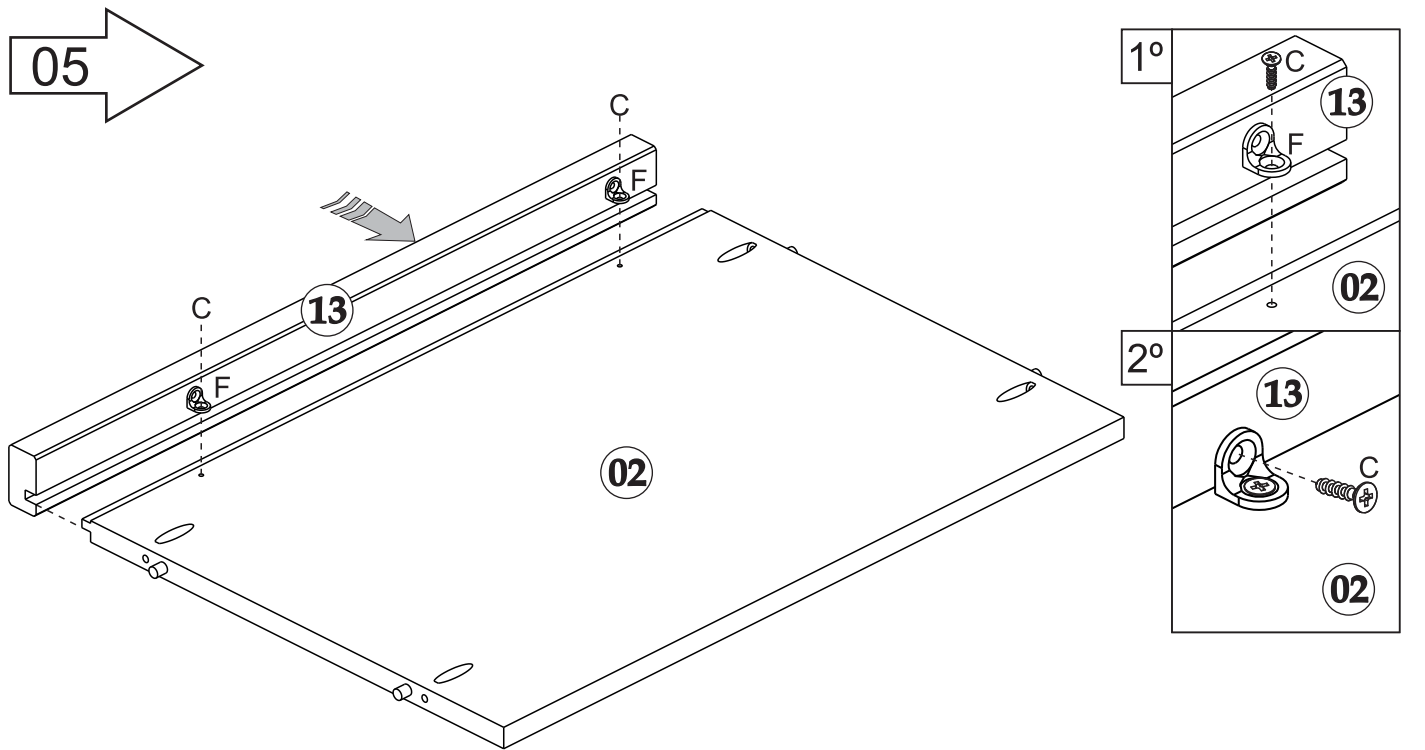
M		04
Ø4,0x35mm		

04



Attach shelf support brackets.

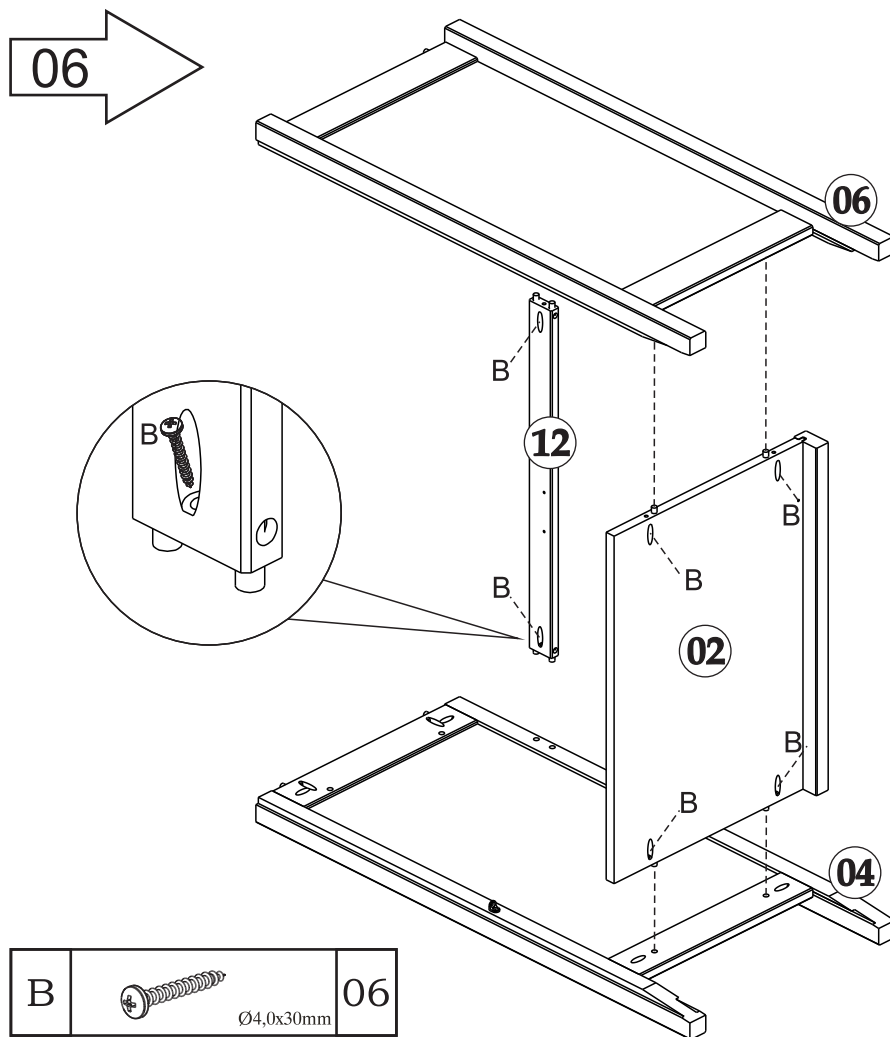


F		04
C		04
Ø3,0x16mm		




Attach the bottom crossbar to the underside of the bottom shelf.

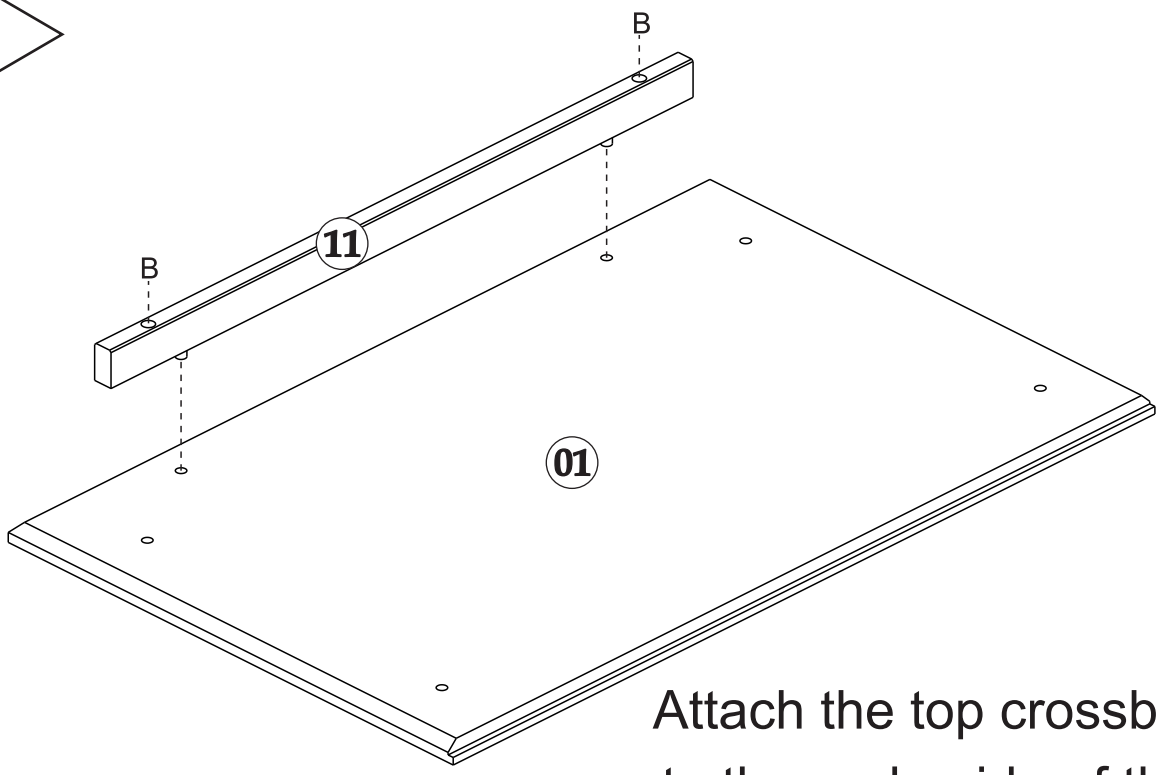
F		02
C	 Ø3,0x16mm	04



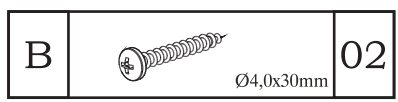
Attach shelf & top crossbar to the assembled side panels.

B	 Ø4,0x30mm	06
---	---	----

07

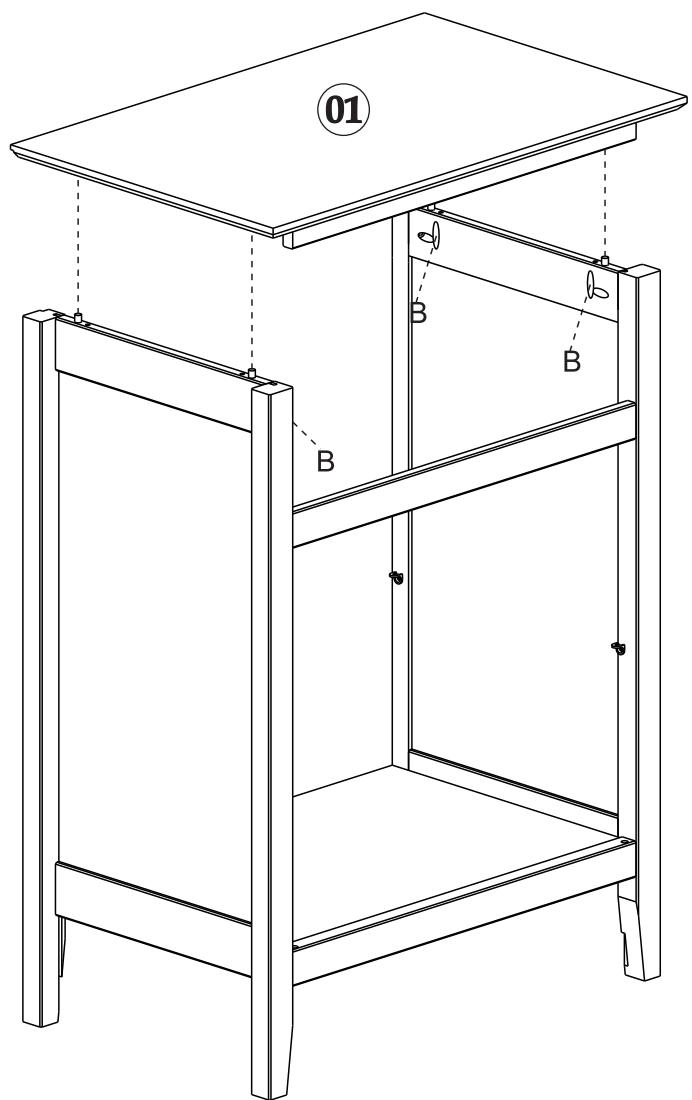



Attach the top crossbar to the underside of the top panel.

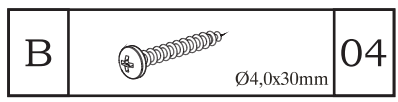
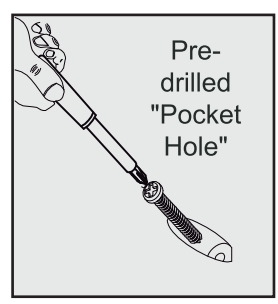


08

Attach the top panel to the assembled side panels.

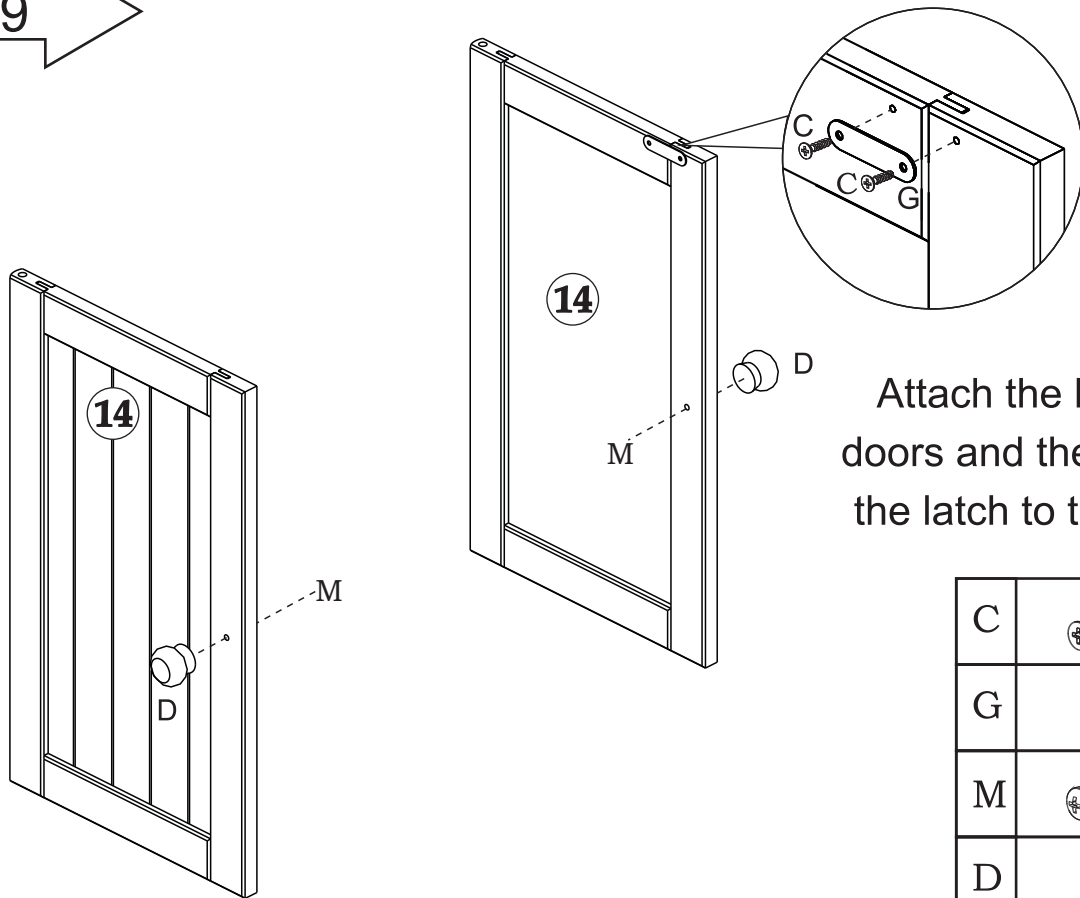


  
**TIP:** Turning the unit upside down provides a better angle to tighten the screws.


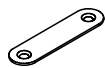
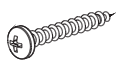





09

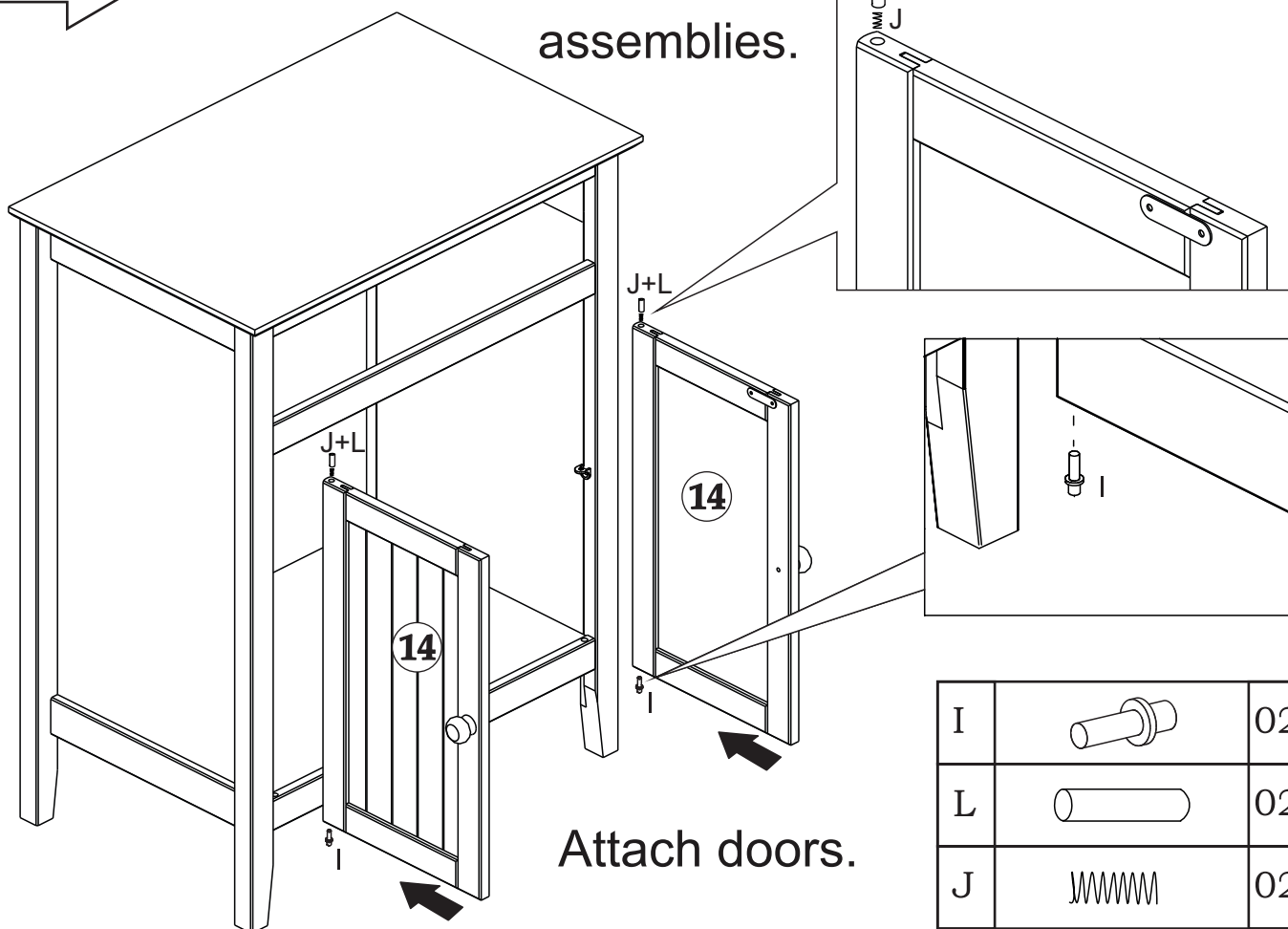


Attach the knobs to the doors and the metal part of the latch to the right door.

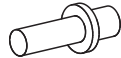
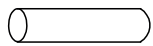

C		02
	$\text{Ø}3,0 \times 16\text{mm}$	
G		01
M		02
	$\text{Ø}4,0 \times 35\text{mm}$	
D		02

10

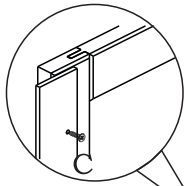
Insert the door pins & spring assemblies.



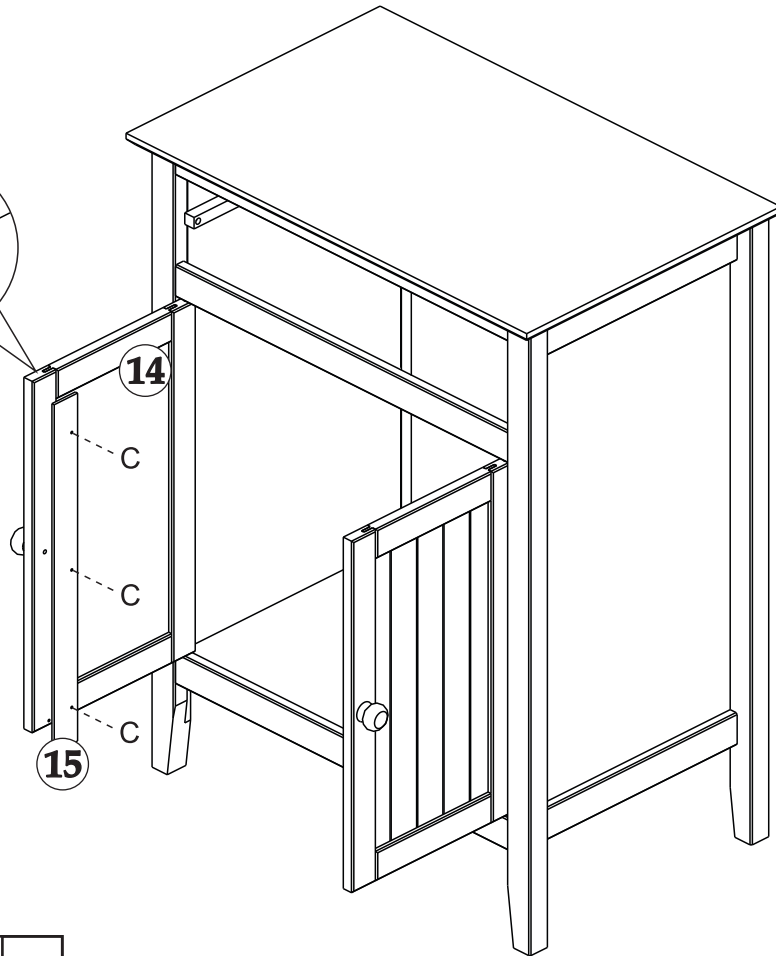
Attach doors.


I		02
L		02
J		02

11



Attach the closing strip to the inside of the left door.

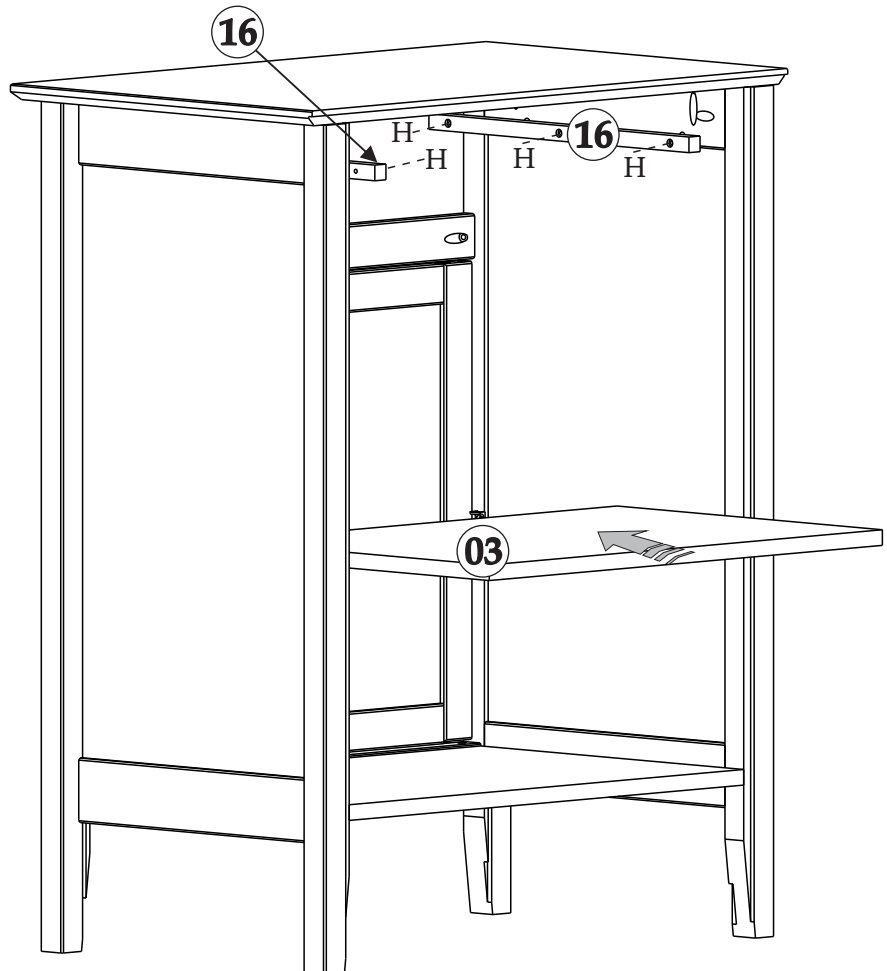



C		03
Ø3,0x16mm		

12

Slide in the center shelf.

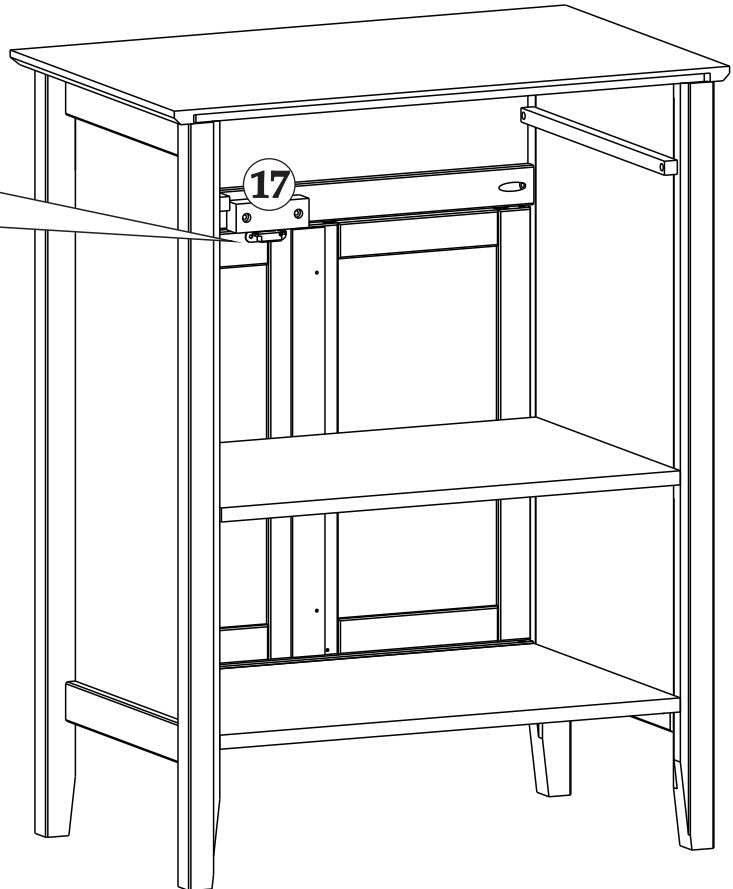
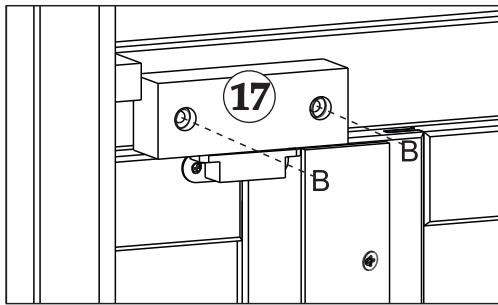
Attach the drawer runners.



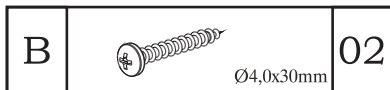
H		06
Ø4,0x25mm		

13

Attach the magnetic door latch.

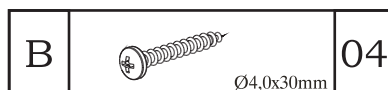
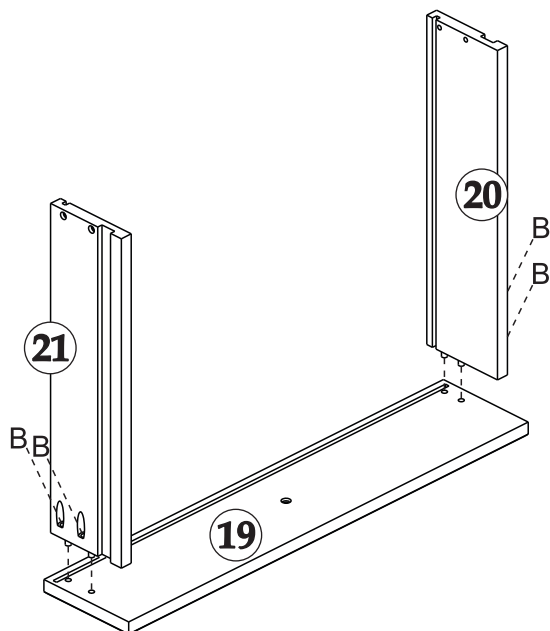


Note: The magnetic latch was affixed to the wooden base in step 1 during preparation for assembly.



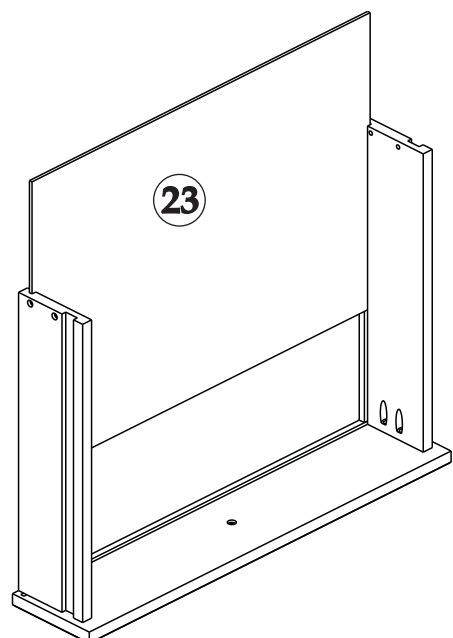
14

Attach the drawer sides.



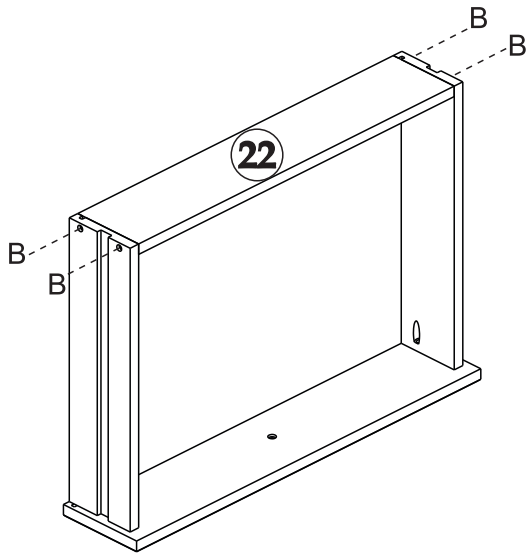
15


Slide in the drawer bottom.



16

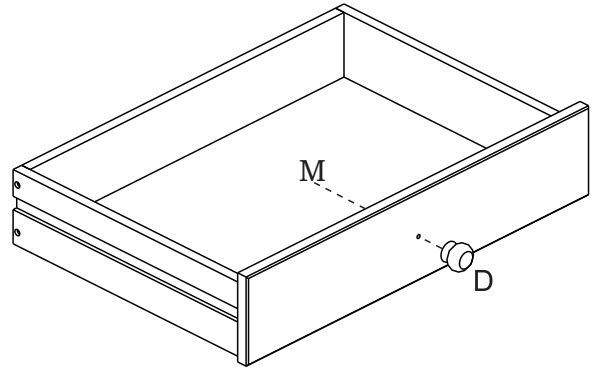
Attach drawer back.





B		04	Ø4,0x30mm
---	---	----	-----------

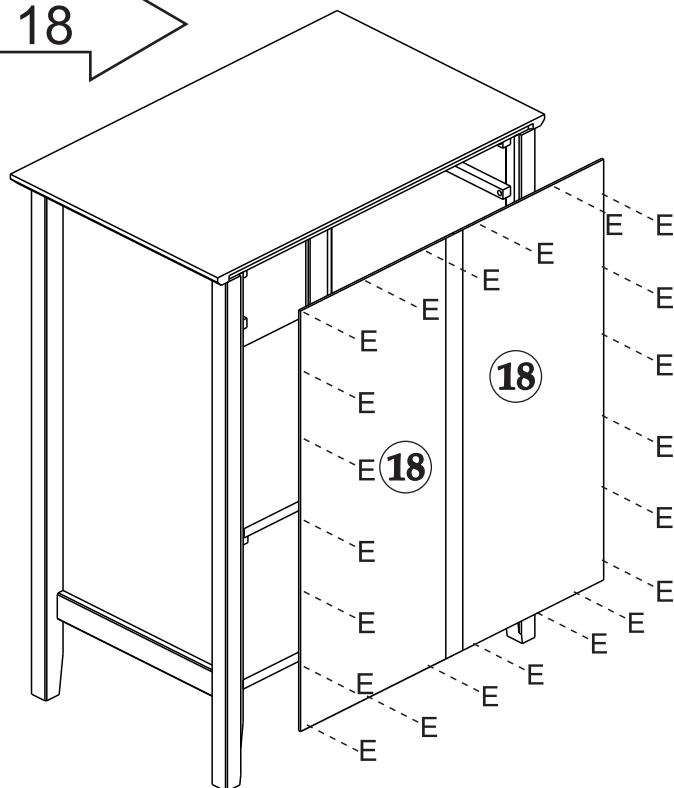
17

Attach knob to drawer front.




D		01	
M		01	Ø4,0x35mm

18

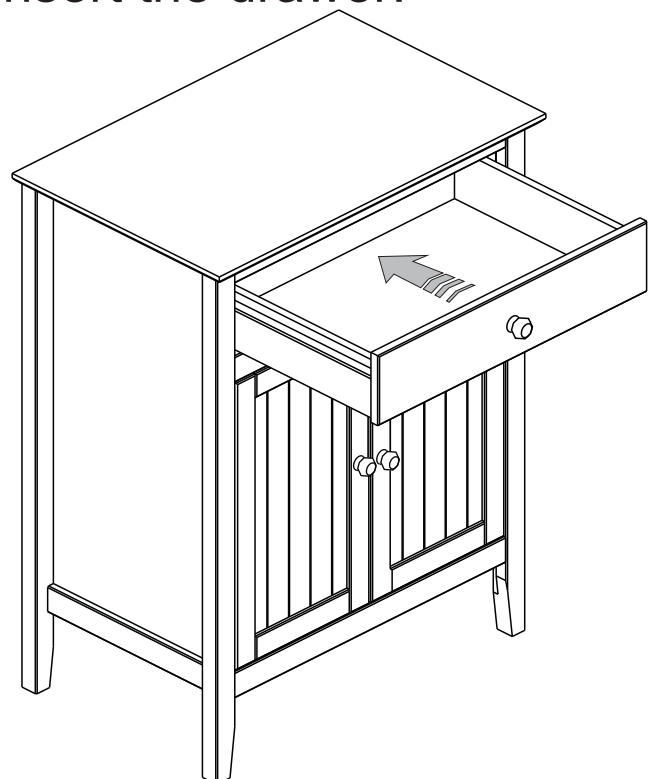


**IMPORTANT!! USE ALL BACK PANEL NAILS, EVENLY SPACED, THEY HELP MAKE THE UNIT STRONG.**

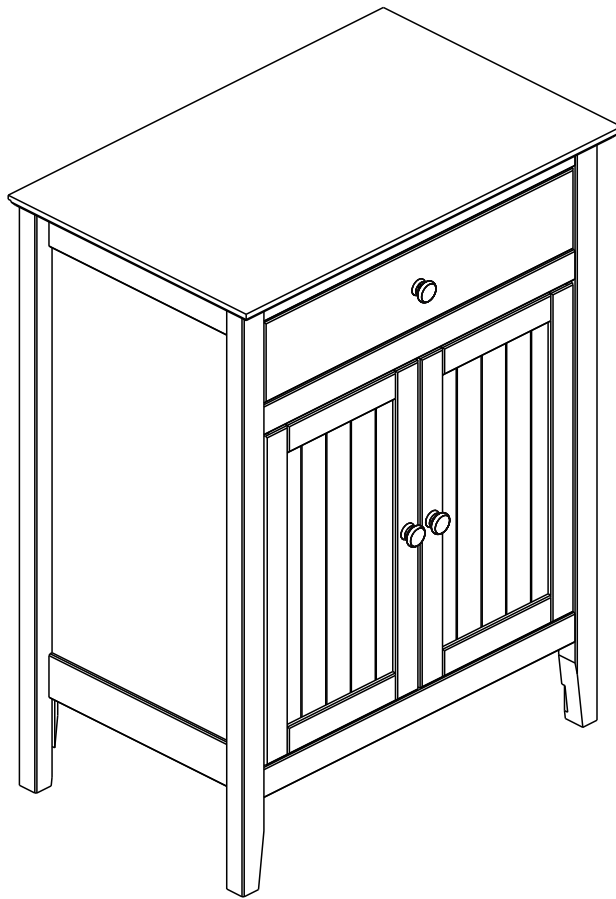
E		22	1,0 x 19mm
---	---	----	------------

19

Insert the drawer.



**COMPLETED ASSEMBLY:  
THANK YOU FOR YOUR PURCHASE, AND WELCOME TO ADEPTUS!**



**USE AND CARE INSTRUCTIONS:**

**CARE INSTRUCTIONS:**

- **MORMAL USE: WIPE WITH A CLEAN CLOTH.**
- **WHEN NEEDED TO CLEAN SCUFFS: WIPE CLEAN WITH A SLIGHTLY DAMP CLOTH AND A MILD CLEANER. THEN WIPE DRY WITH A CLEAN CLOTH.**
- **DO NOT USE ABRASIVE CLEANERS OR CHEMICALS.**

**USE:**

- **FOR STORAGE OF NONPERSISHBLE FOODS, LINENS OR OTHER KITCHEN SUPPLIES.**
- **OR USE FOR GENERAL STOARGE IN ANY ROOM OF THE HOUSE.**