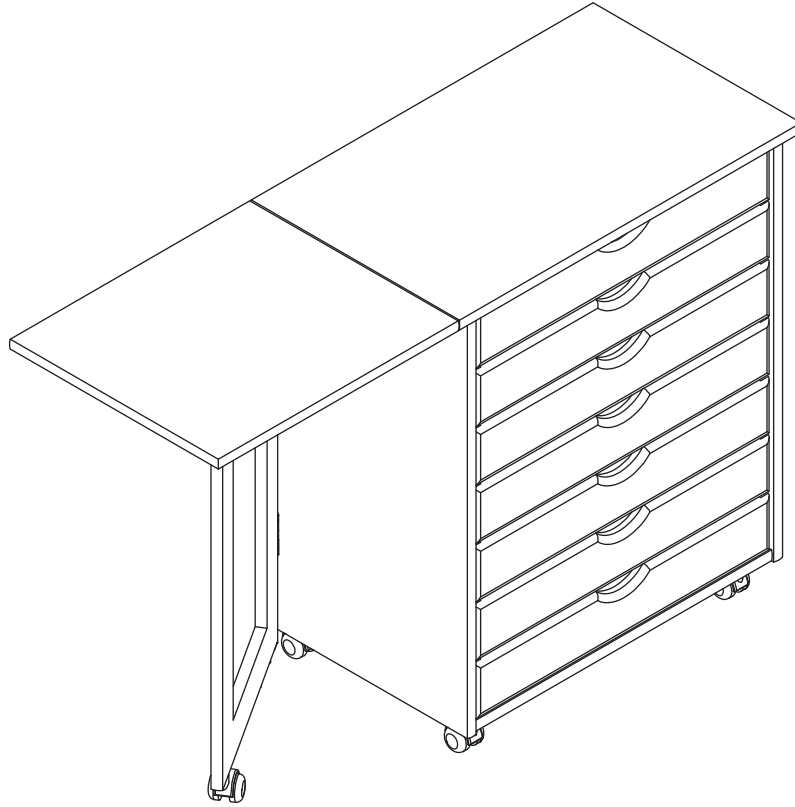


ADEPTUS®

ASSEMBLY INSTRUCTIONS

Drop Leaf Roll Cart

#76178 - Medium Pine Finish



CUSTOMER SERVICE AND REPLACEMENT PARTS:

FOR FASTER SERVICE ON PARTS OR HELP, PLEASE GO TO OUR WEBSITE AT WWW.ADEPTUS.COM;
OR CALL TOLL FREE 1.888.ADEPTUS (1.888.233.7887) FOR ASSEMBLY QUESTIONS.
MON-FRI 10 A.M. TO 4 P.M. E.S.T., CLOSED HOLIDAYS

IF YOU CALL, PLEASE HAVE ON HAND:

- PRODUCT NAME AND STOCK NUMBER
- WHEN AND WHERE THE UNIT WAS PURCHASED
- P.O. NUMBER FROM THE BOTTOM OF THIS PAGE

IF WE ARE BUSY HELPING OTHER CUSTOMERS, PLEASE LEAVE YOU NAME AND NUMBER
TO RECEIVE A RETURN CALL.

YOUR RETAILER MAY ALSO PROVIDE SERVICE OR PARTS.

HELPFUL OVERALL:

- SAVE THESE INSTRUCTION SHEETS AND THE BOX UNTIL YOU ARE SATISFIED WITH THE ASSEMBLY.
- DO NOT GLUE THE PARTS OF THE UNIT TOGETHER UNLESS YOU HAVE TESTED THE ASSEMBLY FIRST.
- PERFORM THE ASSEMBLY ON A CLEAN HARD SURFACE USING THE FLATTENED CARTON OR A TOWEL TO PROTECT THE SURFACE AND THE FINISH OF THE UNIT. DO NOT ASSEMBLE ON CARPET.

VISIT WWW.ADEPTUS.COM TO REGISTER YOUR PRODUCT AND SEE THE COMPLETE ADEPTUS LINE. REGISTRATION IS REQUIRED FOR PARTS REQUESTS.

THANK YOU FOR YOUR PURCHASE AND WELCOME TO ADEPTUS!

NOTICE: THE WRITTEN INSTRUCTIONS CONTAINED HEREIN ARE COPYRIGHTED.  copyright all rights reserved

Many People, One Thought

PROVIDING QUALITY SOLID WOOD FURNITURE AT AN AFFORDABLE PRICE HAS BEEN A GROUP EFFORT. FROM CONCEPT TO PRODUCT DESIGN, MANUFACTURING AND RETAILING, EACH AREA FOCUSES ON THE DETAILS THAT WILL ASSURE YOU A LOW PRICE. BUT NEVER AT THE EXPENSE OF FUNCTION, STYLING, OR GOOD SENSE.

A "READY - TO - ASSEMBLE" ITEM REDUCES TRANSPORTATION AND WAREHOUSING COSTS WHICH HELP YOUR RETAILER KEEP THEIR PRICES REASONABLE. NOW, YOU ARE JOINING "TEAM ADEPTUS" WITH THE FINAL STEP, ASSEMBLY.

• YOU ASSEMBLE, YOU SAVE •


WELCOME TO ADEPTUS!

This is a **SOLID WOOD** product:

We inspect all wood, and follow guidelines to pass quality inspections. Solid wood furniture has knots, small cracks, and what may look like blemishes. These characteristics are a natural by product of producing furniture from natural material.

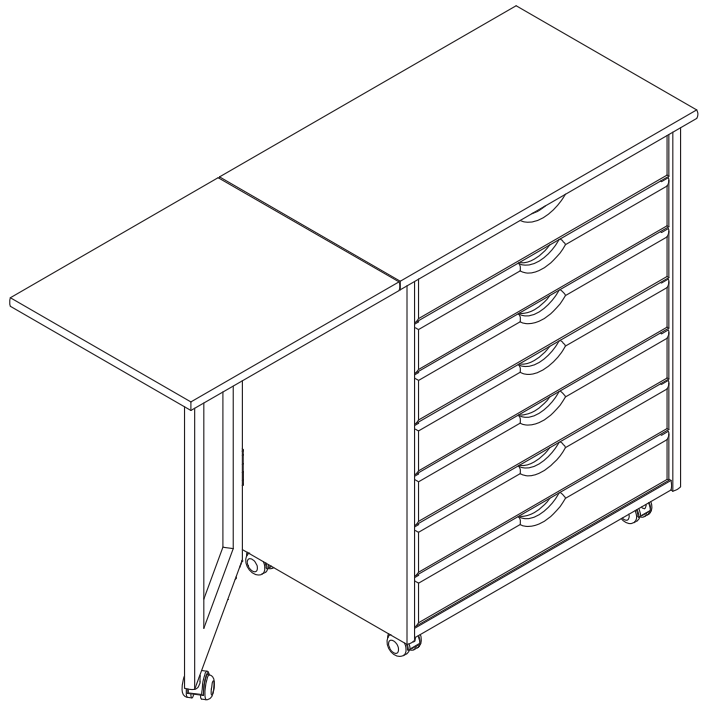
We take extra care with our drawer parts:

1. We use real wood drawers sides.
2. The drawer sides are not painted to help protect your clothes from chemical odors and residue.
3. Finely sanded drawer parts eliminate snags when storing your clothes.


IMPORTANT

Perform the entire assembly on a clean, hard surface using the flattened box or a towel to protect the surface and the unit's finish. **DO NOT** assemble on carpet.

Carpet creates too much bounce making assembly difficult and could lead to damage of the parts.



PLEASE NOTE:


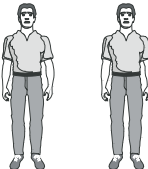

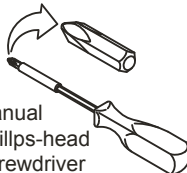
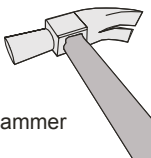
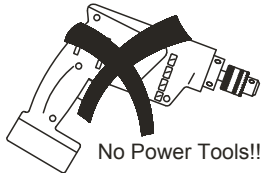
DOWELS (PART A) VARY EVER SO SLIGHTLY. IF A DOWEL (PART A) IS LOOSE, WE PREFER YOU CALL OUR TOLL FREE NUMBER FOR ADDITIONAL DOWELS - VS GLUING THE DOWEL.

IF YOU CHOOSE TO GLUE THE PARTS, COMPLETELY TEST THE ASSEMBLY FIRST. WE DO NOT SUPPLY GLUE.

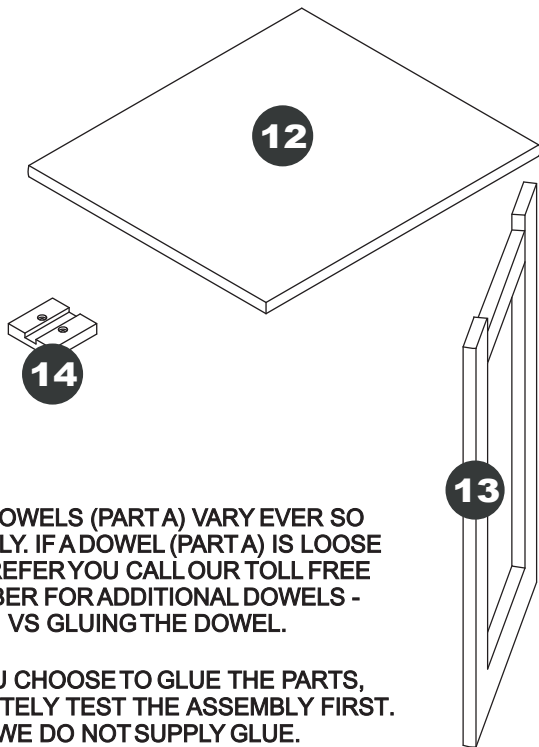
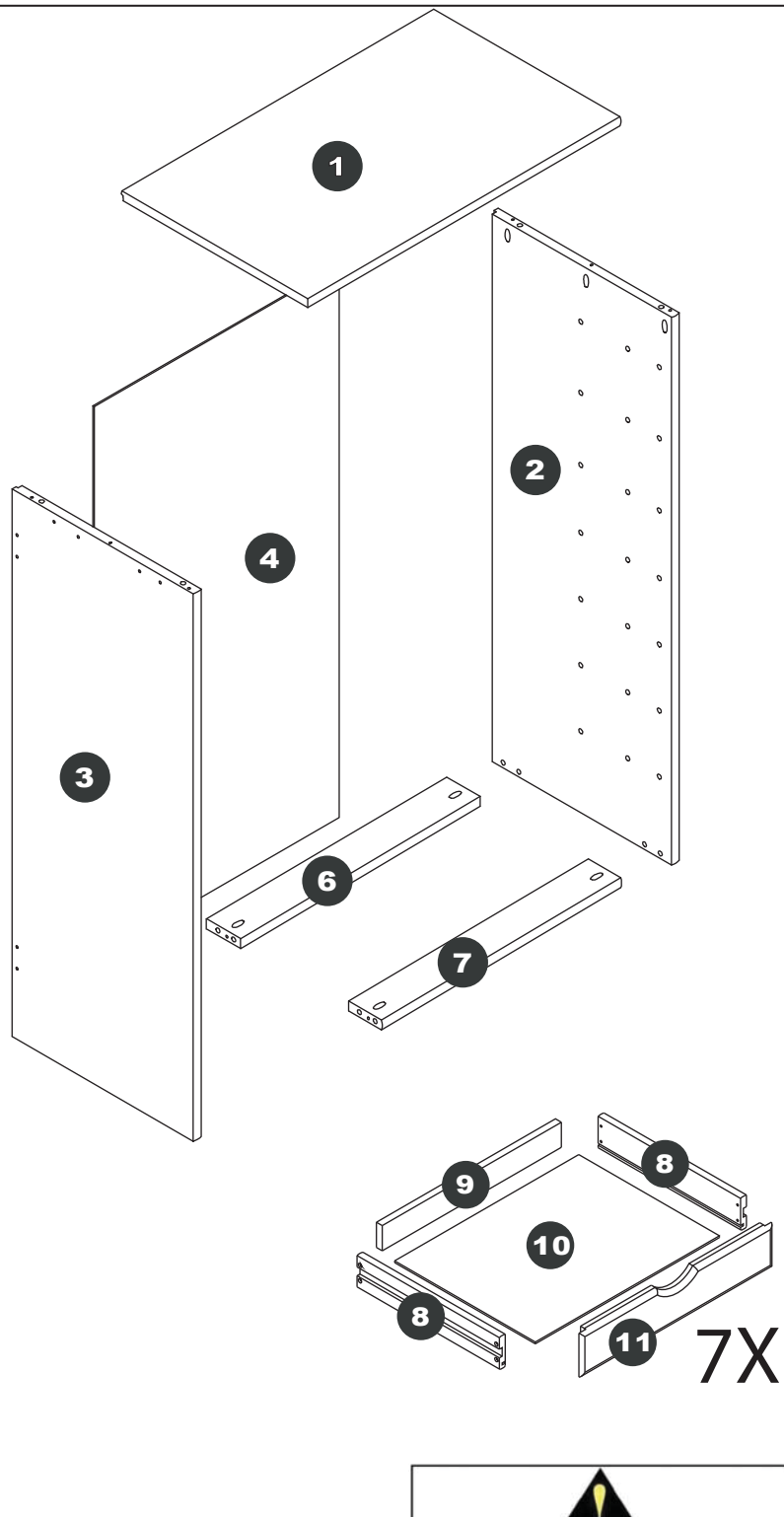
Safety and Care Advice

- Check you have all the components and tools listed on pages 3 & 4.
- Remove all fittings from the plastic bags and separate them into their groups.
- Keep children and animals away from the work area, small parts could choke if swallowed.
- Make sure you have enough space to layout the parts before starting.
- Do not stand or put weight on the product, this could cause damage.
- Assemble the item as close to its final position (in the same room) as possible.
- Opened box can be used to protect your floor or counter during assembly.
- Assembly is easier for drawer parts on a counter.
- Parts of the assembly will be easier with 2 people.
- We do not recommend the use of power drill/drivers for inserting screws, as this could damage the unit.
- Only use hand screwdrivers.
- Dispose of all packaging carefully and responsibly.

These tools are not supplied by the manufacturer.

		 35 min	 Manual Phillips-head Screwdriver	 Hammer	 No Power Tools!!
---	---	---	---	--	--

1	TOP
2	RIGHT SIDE
3	LEFT SIDE
4	BACK PANEL
6	BACK CASTOR SUPPORT
7	FRONT CASTER SUPPORT
8	DRAWER SIDE
9	DRAWER BACK
10	DRAWER BOTTOM
11	DRAWER FRONT
12	DROP LEAF TOP
13	GATE LEG SUPPORT
14	GATE LEG BRACKET



TIP: DOWELS (PART A) VARY EVER SO SLIGHTLY. IF A DOWEL (PART A) IS LOOSE WE PREFER YOU CALL OUR TOLL FREE NUMBER FOR ADDITIONAL DOWELS - VS GLUING THE DOWEL.

IF YOU CHOOSE TO GLUE THE PARTS, COMPLETELY TEST THE ASSEMBLY FIRST. WE DO NOT SUPPLY GLUE.

A=12 Dowel 8,0 x 30mm	B=58 Screw 3,0 x 25mm	C=10 Screw 4,0 x 30mm	D=14 Drawer Runner	E=04 Cart Caster
F=32 Back Panel Nail	G=20 Screw 3,0 x 16mm	H=04 Hinge	I=01 Gate Leg Caster	J=04 Cart Caster Insert

IMPORTANT

Perform the entire assembly on a clean, hard surface using the flattened box or a towel to protect the surface and the unit's finish. **DO NOT** assemble on carpet.

Carpet creates too much bounce making assembly difficult and could lead to damage of the parts.

These tools are not supplied by the manufacturer

		 35 min	 Manual Phillips-head Screwdriver	 Hammer	 No Power Tools!!
--	--	------------	--------------------------------------	------------	----------------------

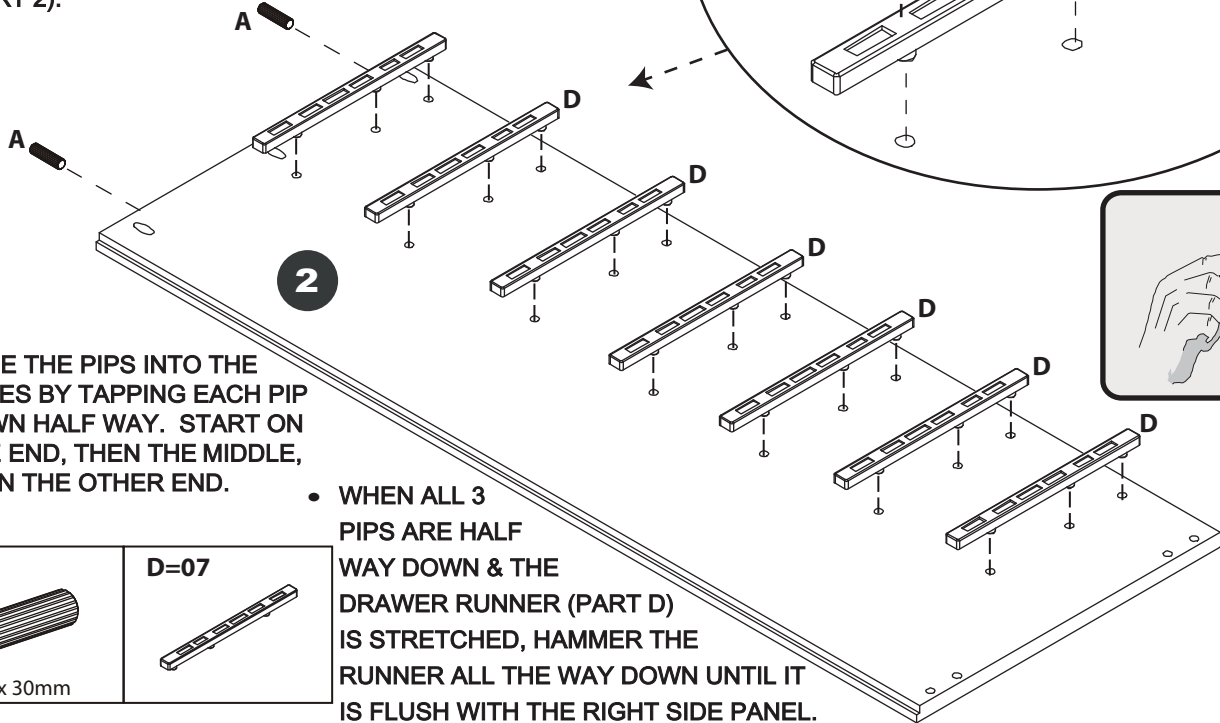
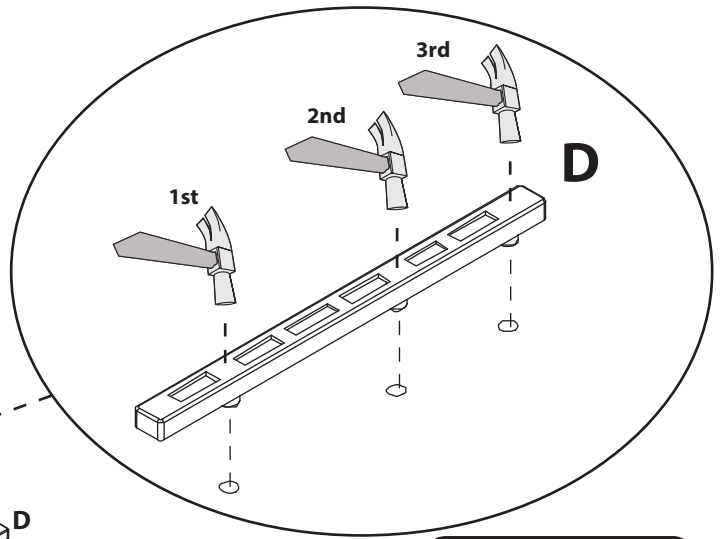
1

PREPARE RIGHT SIDE FOR ASSEMBLY

- PUSH THE DOWELS (PART A) INTO THE TOP OF (PART 2) THE RIGHT SIDE PANEL.

ATTACH DRAWER RUNNERS:

- THE DRAWER RUNNERS (PART D) WILL STRETCH SLIGHTLY AS YOU HAMMER THEM INTO PLACE.
- LINE UP THE PIPS IN DRAWER RUNNERS (PART D) TO THE PRE-DRILLED HOLES IN THE RIGHT SIDE PANEL (PART 2).



- EASE THE PIPS INTO THE HOLES BY TAPPING EACH PIP DOWN HALF WAY. START ON ONE END, THEN THE MIDDLE, THEN THE OTHER END.

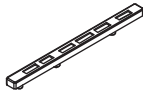
- WHEN ALL 3 PIPS ARE HALF WAY DOWN & THE DRAWER RUNNER (PART D) IS STRETCHED, HAMMER THE RUNNER ALL THE WAY DOWN UNTIL IT IS FLUSH WITH THE RIGHT SIDE PANEL.

A=02



8,0 x 30mm

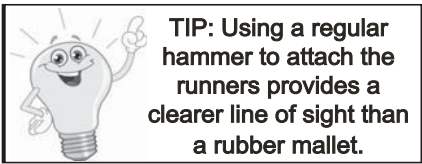
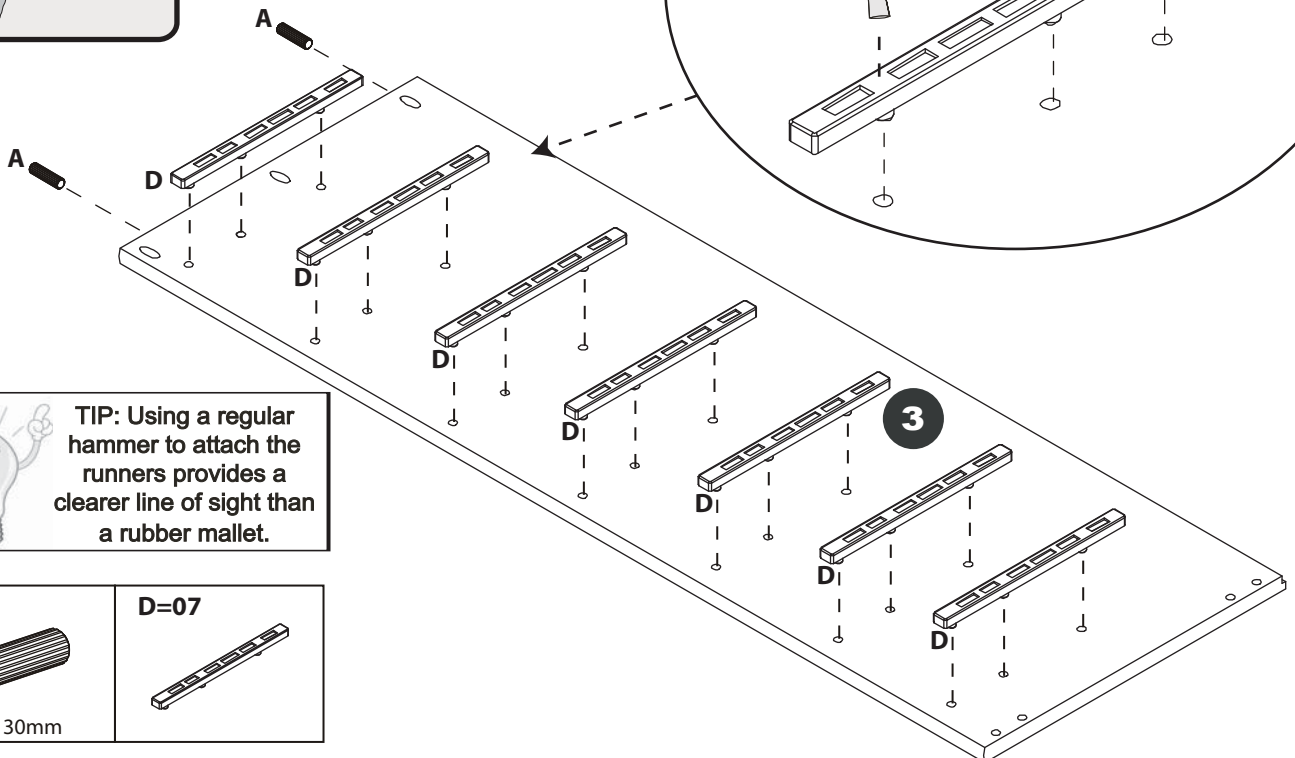
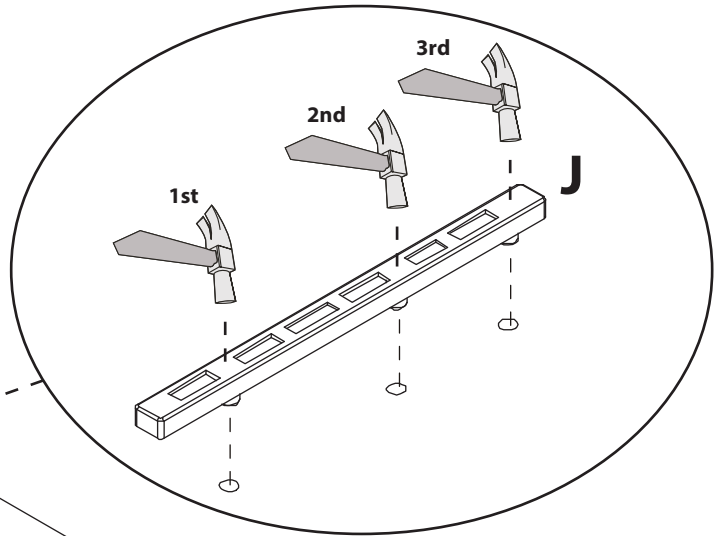
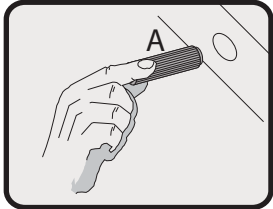
D=07



2

PREPARE LEFT SIDE FOR ASSEMBLY

- REPEAT ALL STEPS FROM ABOVE STEP #1 TO INSERT DOWELS (PART A) AND ATTACH THE DRAWER RUNNERS (PART D) TO THE LEFT SIDE PANEL (PART 3).



A=02



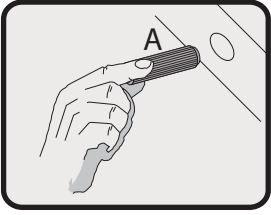
8,0 x 30mm

D=07

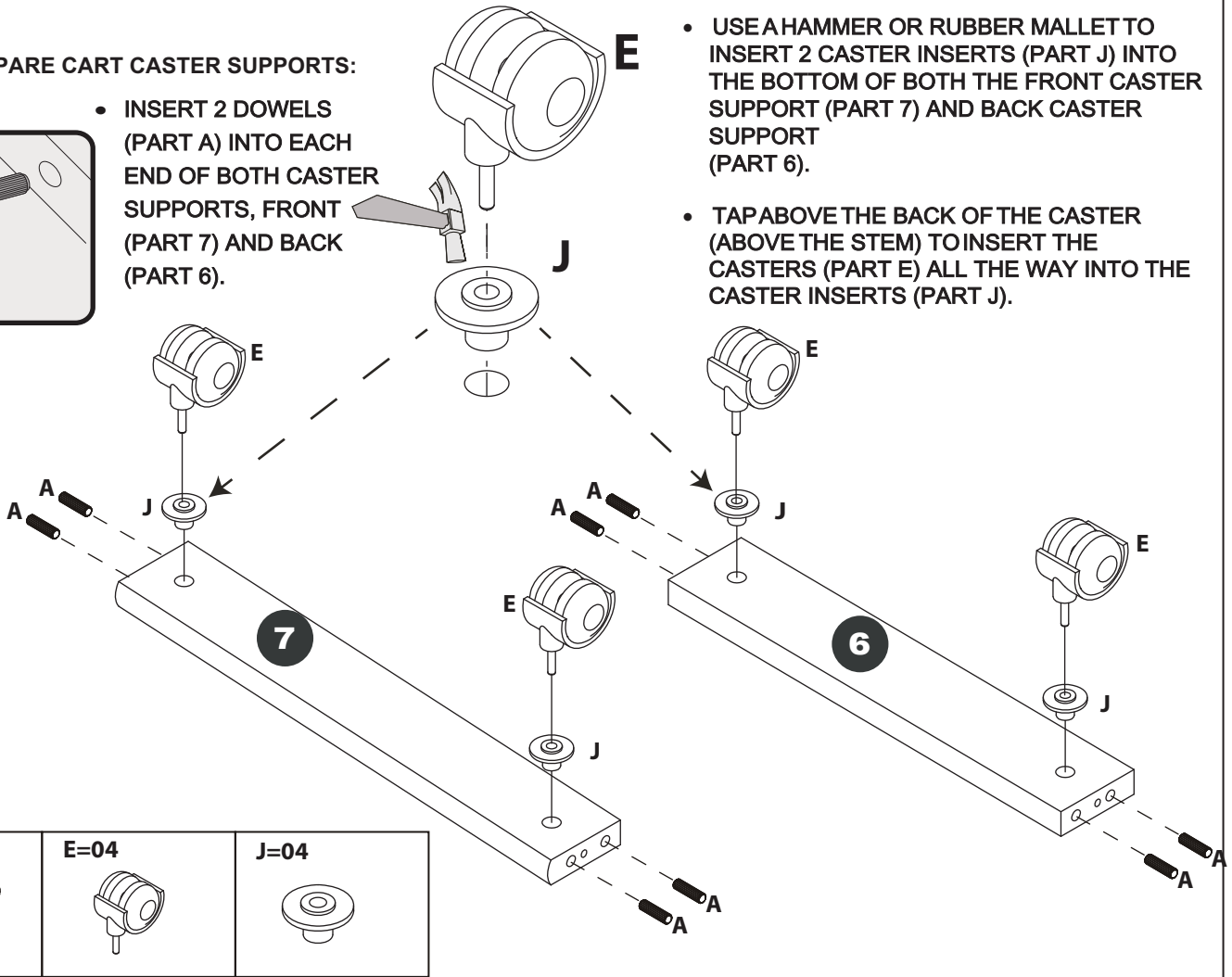


3

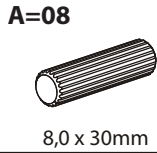
PREPARE CART CASTER SUPPORTS:



- INSERT 2 DOWELS (PART A) INTO EACH END OF BOTH CASTER SUPPORTS, FRONT (PART 7) AND BACK (PART 6).



- USE A HAMMER OR RUBBER Mallet TO INSERT 2 CASTER INSERTS (PART J) INTO THE BOTTOM OF BOTH THE FRONT CASTER SUPPORT (PART 7) AND BACK CASTER SUPPORT (PART 6).
- TAP ABOVE THE BACK OF THE CASTER (ABOVE THE STEM) TO INSERT THE CASTERS (PART E) ALL THE WAY INTO THE CASTER INSERTS (PART J).

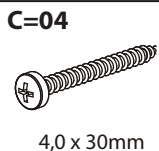
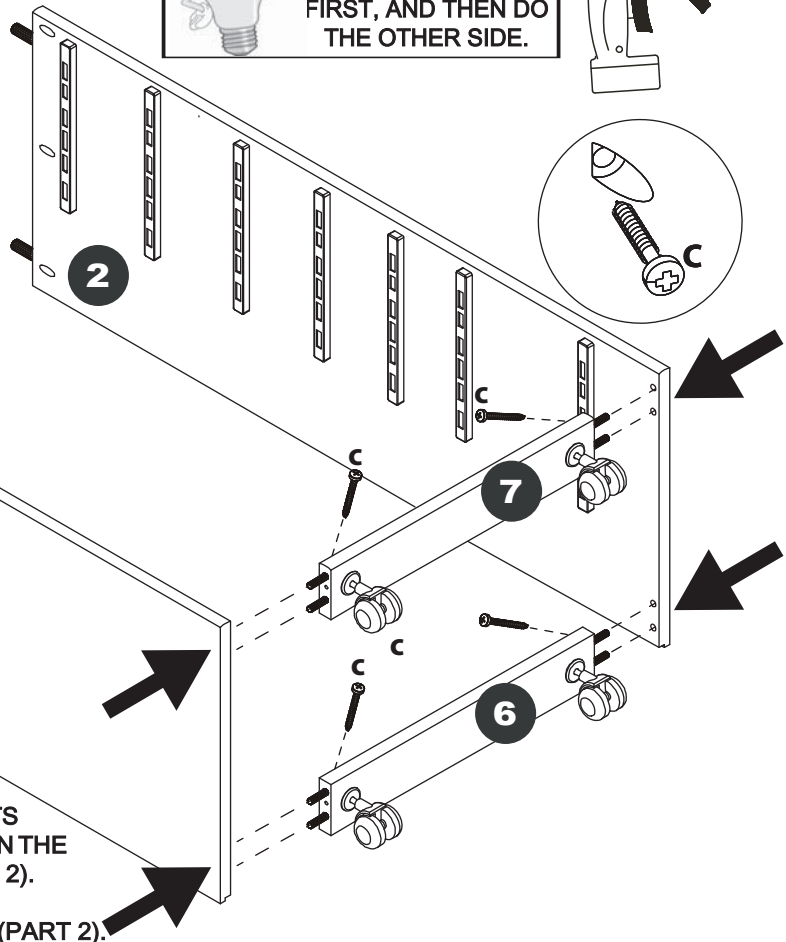
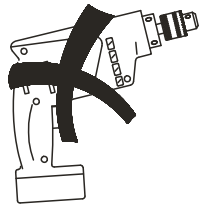


4 ATTACH CROSSBARS (CASTER SUPPORTS) TO THE SIDE PANELS

DO NOT STAND THE SIDE PANELS ON THEIR EDGES YET. TO EASE ASSEMBLY, LAY SIDES FLAT ON THE FLOOR, RUNNER SIDE VISIBLE.

- MATCH UP BACK CASTER SUPPORT (PART 6) AND FRONT CASTER SUPPORT (PART 7) AT DOWEL HOLES IN THE BOTTOM OF THE LEFT SIDE PANEL (PART 3).
- SECURE BACK CASTER SUPPORT (PART 6) TO THE LEFT SIDE (PART 3) USING SCREW (PART C). SEE THE BLOW UP IMAGE OF A SCREW ANGLED THROUGH THE POCKET HOLES.
- REPEAT TO ATTACH FRONT CASTER SUPPORT (PART 7) TO THE LEFT SIDE (PART 3).
- CAREFULLY TURN LEFT SIDE (PART 3) TO ITS BACK EDGE, AS SHOWN.

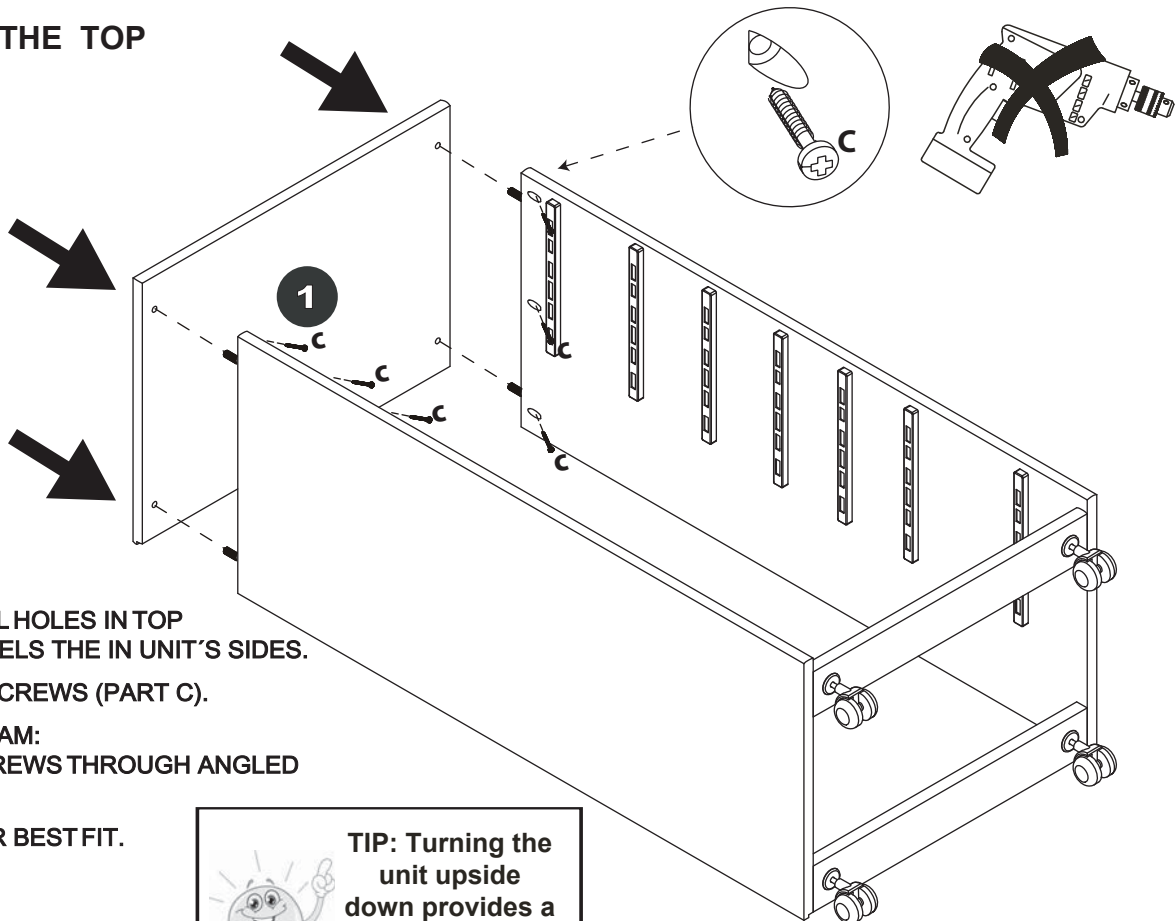
TIP: ATTACH BOTH CROSSBARS TO ONE SIDE PANEL FIRST, AND THEN DO THE OTHER SIDE.



- POSITION RIGHT SIDE (PART 2) TO LINE UP THE CROSSBARS (PARTS 6 AND 7) WITH THE DOWEL HOLES IN THE BOTTOM OF THE RIGHT SIDE (PART 2).
- USE SCREWS (PART C) TO ATTACH CROSSBARS (6 & 7) TO RIGHT SIDE (PART 2).

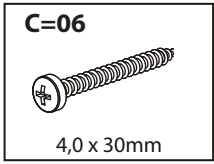
5

ATTACH THE TOP



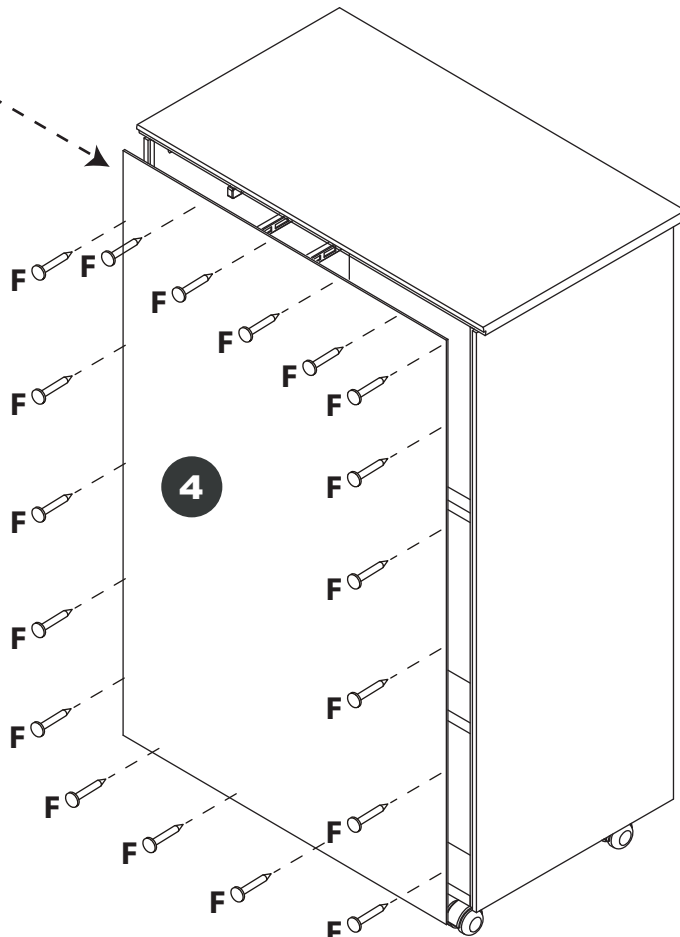
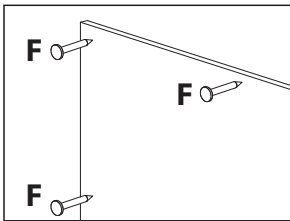
- LINE UP THE DOWEL HOLES IN TOP (PART 1) WITH DOWELS THE IN UNIT'S SIDES.
- SECURE USING 6 SCREWS (PART C).
- SEE ROUND DIAGRAM: SLIDE (PART C) SCREWS THROUGH ANGLED POCKET HOLES.
- HAND TIGHTEN FOR BEST FIT.

TIP: Turning the unit upside down provides a better angle to tighten the screws.



6

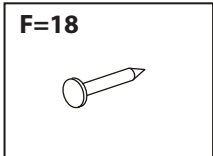
ATTACH THE BACK PANEL



Use all back panels nails. Evenly spaced, they help make the unit strong.

- HOLD THE (PART 4) BACK PANEL IN THE GROOVES INSIDE THE UNIT'S SIDES.
- ALSO MAKE SURE THE BACK PANEL FITS IN THE GROOVE AT THE BACK OF THE TOP.

- CHECK THAT THE UNIT IS SQUARE.
- SECURE THE (PART 4) BACK PANEL USING THE (PART F) NAILS.



7

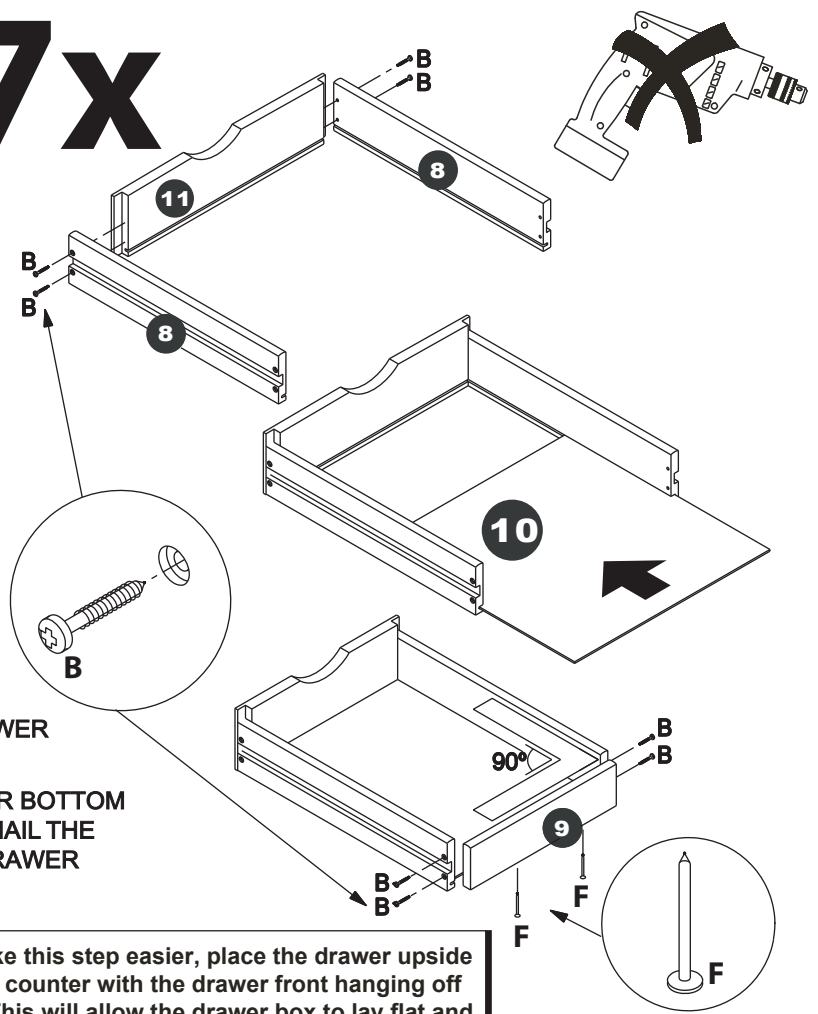
ASSEMBLE THE DRAWERS

7x

- LINE UP THE BOTTOM EDGE OF THE DRAWER SIDE (PART 8) WITH THE BOTTOM EDGE OF THE DRAWER FRONT (PART 11).
- JOIN THE PARTS USING TWO SCREWS (PART B) AS SHOWN IN THE DIAGRAM.

NOTE: THE SCREWS' SHARP TIPS ARE SELF TAPPING, SO THE DRAWER FRONTS DO NOT NEED PILOT HOLES. THE SHARP TIP STARTS THE HOLE, AND THE SCREW THREADS WILL SECURE THE PART IN PLACE FOR A TIGHT FIT.

- REPEAT ON THE OTHER SIDE OF THE DRAWER.
- SLIDE IN DRAWER BOTTOM (PART 10) TROUGH GROOVES IN THE DRAWER SIDES (PART 8). THIS WILL START SQUARING UP THE DRAWER.
- LINE UP DRAWER BACK (PART 9) WITH BOTH DRAWER SIDES (PART 8). CHECK THAT IT IS SQUARE.
- SCREW THE DRAWER BACK (PART 9) TO THE DRAWER SIDES (PART 8).
- TURN THE DRAWER OVER. CONFIRM THE DRAWER BOTTOM (PART 10) COVERS THE DRAWER BACK (PART 9). NAIL THE DRAWER BOTTOM (PART 10) THROUGH TO THE DRAWER BACK (PART 9) USING (2) NAILS (PART F).



B=56



3,0 x 25mm

F=14

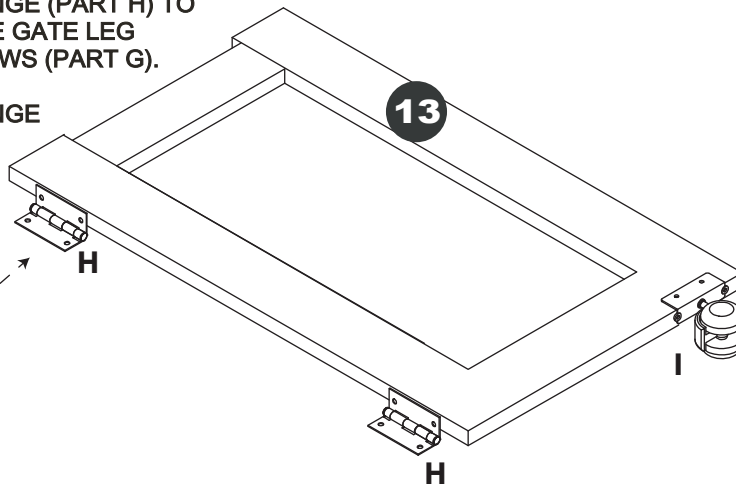


TIP: To make this step easier, place the drawer upside down on a counter with the drawer front hanging off the edge. This will allow the drawer box to lay flat and provide better control for hammering the nails.

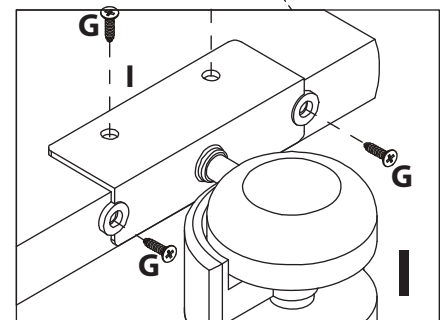
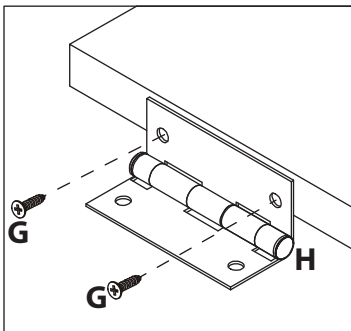
8

ATTACH HINGES AND CASTER TO GATE LEG

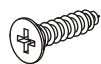
- ATTACH ONE SIDE OF THE HINGE (PART H) TO THE TOP INSIDE EDGE OF THE GATE LEG (PART 13) WITH TWO (2) SCREWS (PART G).
- ATTACH ONE SIDE OF THE HINGE (PART H) TO THE BOTTOM INSIDE EDGE OF THE GATE LEG (PART 13) WITH TWO (2) SCREWS (PART G).



- ATTACH THE GATE LEG CASTER (PART I) TO THE FRONT BOTTOM EDGE OF THE GATE LEG (PART 13) USING FOUR (4) SCREWS (PART G), AS SHOWN IN THE ENLARGED DIAGRAM.

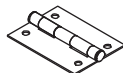


G=08



3,0 x 16mm

H=02

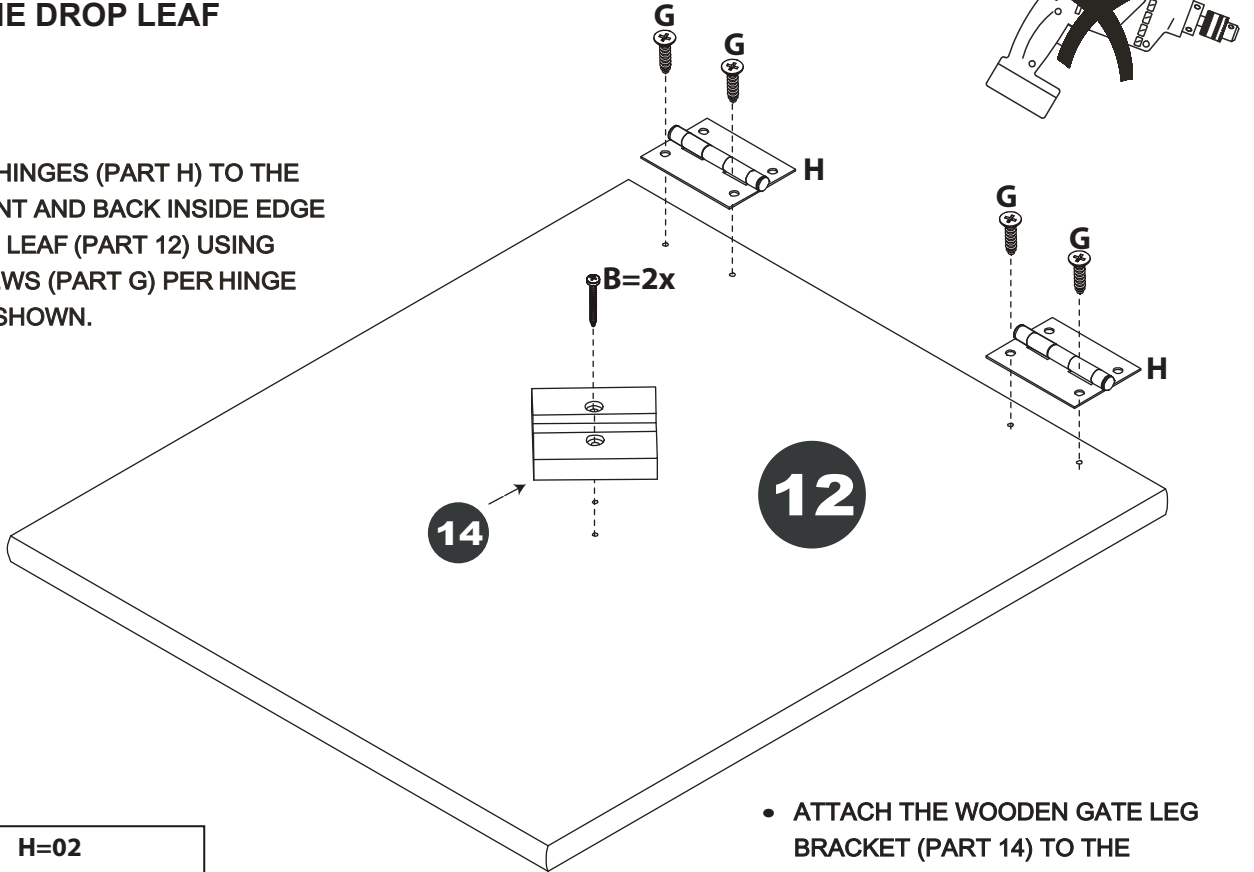


I=01



9 ATTACH THE HINGES AND WOODEN BRACKET TO THE DROP LEAF

- ATTACH THE HINGES (PART H) TO THE BOTTOM FRONT AND BACK INSIDE EDGE OF THE DROP LEAF (PART 12) USING TWO (2) SCREWS (PART G) PER HINGE (PART H), AS SHOWN.



B=02



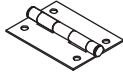
3,0 x 25mm

G=06



3,0 x 16mm

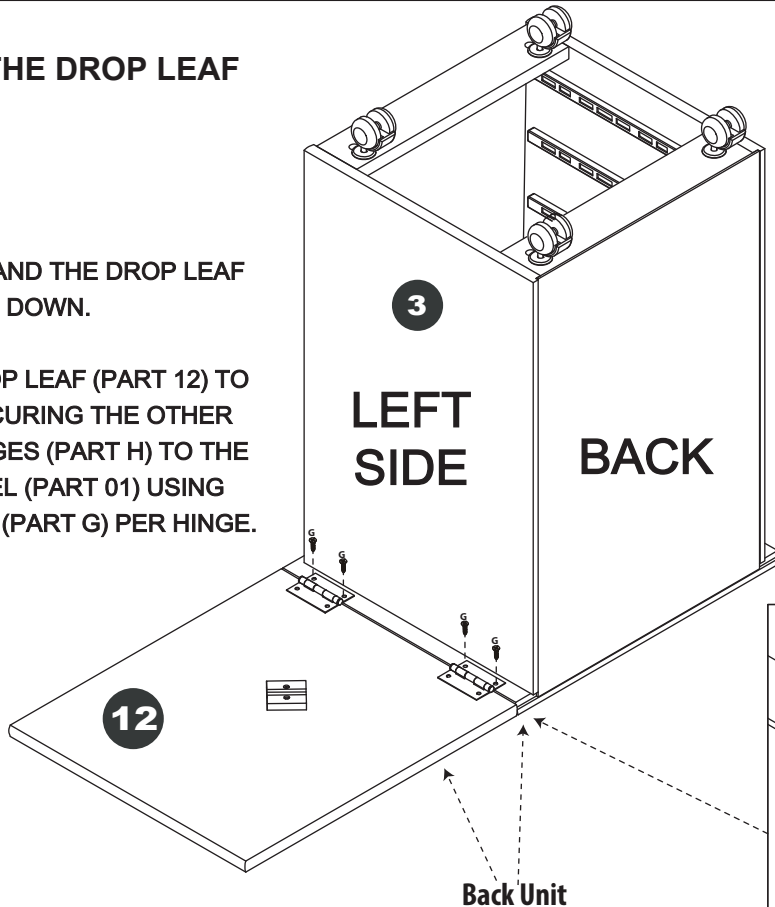
H=02



- ATTACH THE WOODEN GATE LEG BRACKET (PART 14) TO THE BOTTOM CENTER OF THE DROP LEAF (PART 12) USING TWO (2) SCREWS (PART B).

10 ATTACH THE DROP LEAF

- TURN THE CART AND THE DROP LEAF (PART 12) UPSIDE DOWN.
- ATTACH THE DROP LEAF (PART 12) TO THE CART BY SECURING THE OTHER SIDE OF THE HINGES (PART H) TO THE CART'S TOP PANEL (PART 01) USING TWO (2) SCREWS (PART G) PER HINGE.



G=04

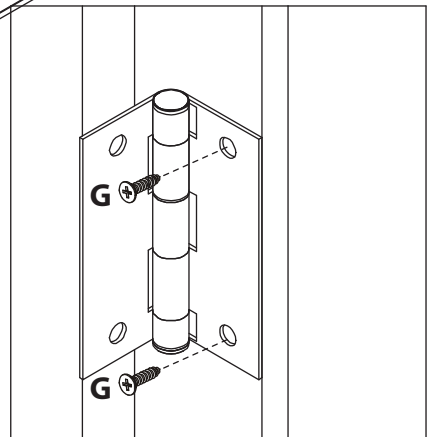
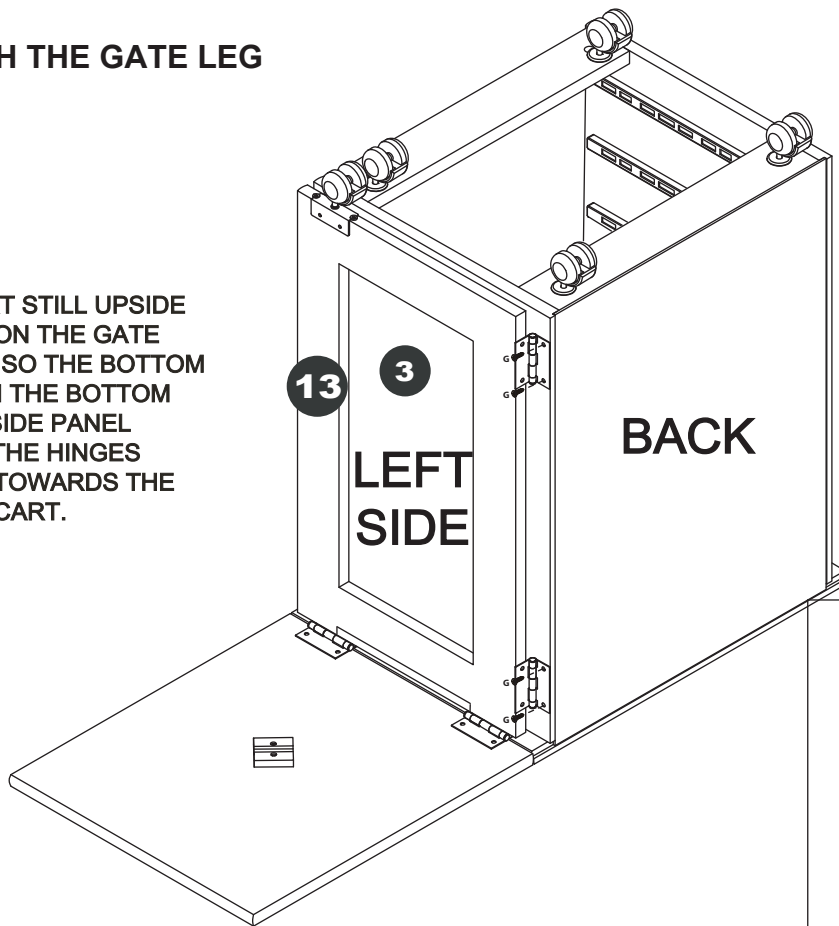


3,0 x 16mm

11

ATTACH THE GATE LEG

- WITH THE CART STILL UPSIDE DOWN, POSITION THE GATE LEG (PART 13) SO THE BOTTOM IS FLUSH WITH THE BOTTOM OF THE LEFT SIDE PANEL (PART 3) AND THE HINGES (PART H) ARE TOWARDS THE BACK OF THE CART.



G=04



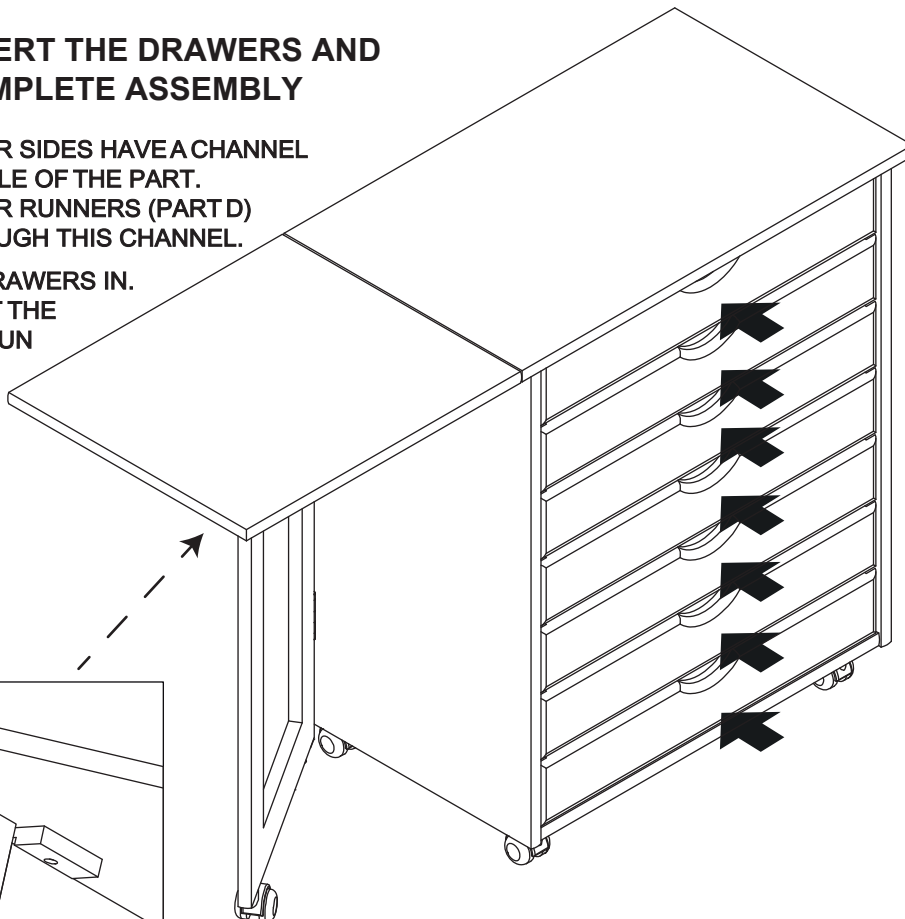
3,0 x 16mm

- ATTACH THE GATE LEG (PART 13) BY SECURING THE OTHER SIDE OF THE HINGES (PART H) TO THE LEFT SIDE PANEL (PART 3) USING TWO (2) SCREWS (PART G) FOR EACH HINGE, AS SHOWN IN THE ENLARGED DIAGRAM.

12

INSERT THE DRAWERS AND COMPLETE ASSEMBLY

- THE DRAWER SIDES HAVE A CHANNEL IN THE MIDDLE OF THE PART. THE DRAWER RUNNERS (PART D) SLIDE THROUGH THIS CHANNEL.
- SLIDE ALL DRAWERS IN. CHECK THAT THE DRAWERS RUN SMOOTH.



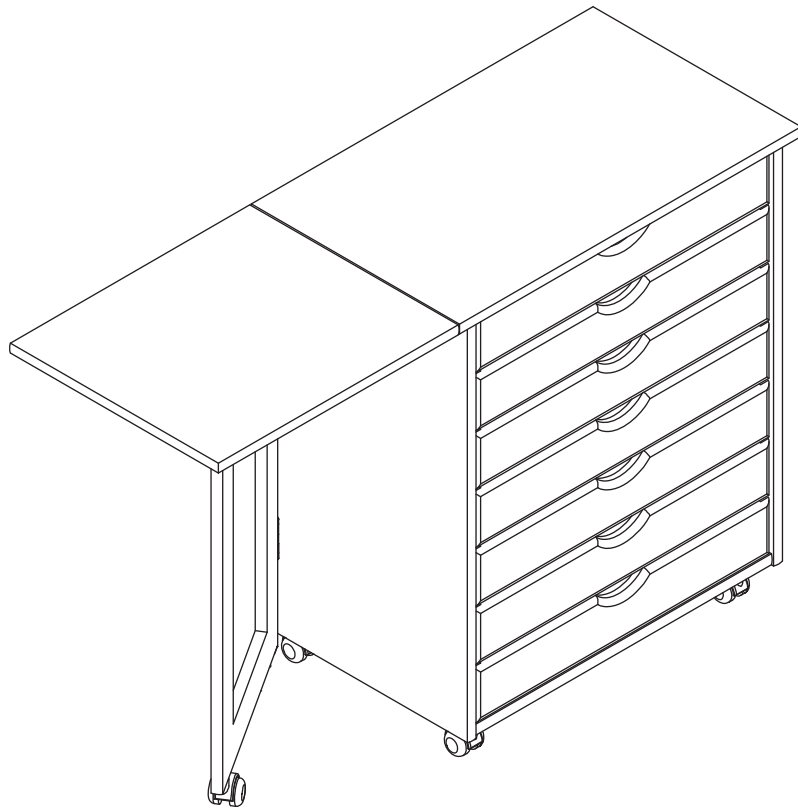
ONE DRAWER FRONT SHOULD NOT OVERLAP ANOTHER DRAWER FRONT'S EDGE.

IF THERE IS A PROBLEM, IT IS LIKELY THE DRAWER FRONT IS NOT ASSEMBLED LEVEL. SIMPLY BACK OUT ONE SET OF THE SCREWS ON A DRAWER SIDE AND ADJUST UNTIL IT IS TO YOUR SATISFACTION. REMEMBER TO LINE UP THE BOTTOM EDGES OF THE DRAWER SIDE AND DRAWER FRONT.

- STEP BACK TO LOOK AT THE UNIT. YOU MAY PREFER TO MOVE ONE DRAWER TO ANOTHER DRAWER'S POSITION.

TO USE THE DROP LEAF, LIFT IT UP AND ROTATE THE FRONT OF THE GATE LEG OUTWARD APPROXIMATELY 45 DEGREES. INSERT THE TOP OF THE GATE LEG INTO THE WOODEN GATE LEG BRACKET.

**COMPLETED ASSEMBLY:
THANK YOU FOR YOUR PURCHASE, AND WELCOME TO ADEPTUS!**



USE AND CARE INSTRUCTIONS:

CARE INSTRUCTIONS:

- NORMAL USE: WIPE WITH A CLEAN CLOTH.
- WHEN NEEDED TO CLEAN SCUFFS: WIPE CLEAN WITH A SLIGHTLY DAMP CLOTH AND A MILD CLEANER. THEN WIPE DRY WITH A CLEAN CLOTH.
- IF YOU OIL OR WAX THIS FURNITURE, IT WILL MORE QUICKLY DEVELOP A PATINA AND DARKEN.

USE:

MULTI-PURPOSE MOBILE STORAGE UNIT FOR HOME, OFFICE, CRAFT ROOM, KITCHEN, OR GARAGE.