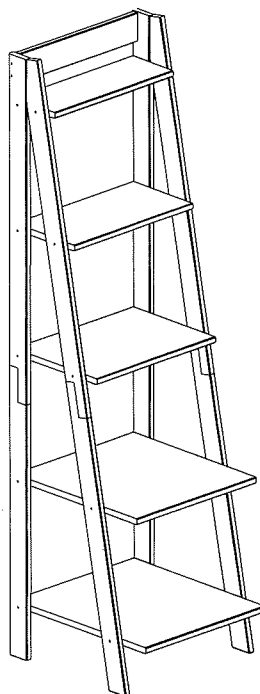


# ADEPTUS®

## ASSEMBLY INSTRUCTIONS

- #95078 - Black Finish
- #95080 - Natural Legs - Black Shelves
- #95081 - Natural Legs - Grey Shelves
- #95083 - Natural Legs - White Shelves
- #95084 - Medium Pine Finish
- #95085 - White Finish



### CUSTOMER SERVICE AND REPLACEMENT PARTS:

FOR FASTER SERVICE ON PARTS OR HELP, PLEASE GO TO OUR WEBSITE AT [WWW.ADEPTUS.COM](http://WWW.ADEPTUS.COM);  
OR CALL TOLL FREE 1.888.ADEPTUS (1.888.233.7887) FOR ASSEMBLY QUESTIONS.  
MON-FRI 10 A.M. TO 4 P.M. E.S.T., CLOSED HOLIDAYS

### IF YOU CALL, PLEASE HAVE ON HAND:

- PRODUCT NAME AND STOCK NUMBER
- WHEN AND WHERE THE UNIT WAS PURCHASED
- P.O. NUMBER FROM THE BOTTOM OF THIS PAGE

IF WE ARE BUSY HELPING OTHER CUSTOMERS, PLEASE LEAVE YOU NAME AND NUMBER  
TO RECEIVE A RETURN CALL.  
YOUR RETAILER MAY ALSO PROVIDE SERVICE OR PARTS.

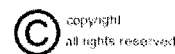
### HELPFUL OVERALL:

- SAVE THESE INSTRUCTION SHEETS AND THE BOX UNTIL YOU ARE SATISFIED WITH THE ASSEMBLY.
- DO NOT GLUE THE PARTS OF THE UNIT TOGETHER UNLESS YOU HAVE TESTED THE ASSEMBLY FIRST.
- PERFORM THE ASSEMBLY ON A CLEAN HARD SURFACE USING THE FLATTENED CARTON OR A TOWEL TO PROTECT THE SURFACE AND THE FINISH OF THE UNIT. DO NOT ASSEMBLE ON CARPET.

VISIT [WWW.ADEPTUS.COM](http://WWW.ADEPTUS.COM) TO REGISTER YOUR PRODUCT AND SEE THE  
COMPLETE ADEPTUS LINE. REGISTRATION IS REQUIRED FOR PARTS REQUESTS.

THANK YOU FOR YOUR PURCHASE AND WELCOME TO ADEPTUS!

NOTICE: THE WRITTEN INSTRUCTIONS CONTAINED HEREIN ARE COPYRIGHTED.



# Many People, One Thought

PROVIDING QUALITY SOLID WOOD FURNITURE AT AN AFFORDABLE PRICE HAS BEEN A GROUP EFFORT. FROM CONCEPT TO PRODUCT DESIGN, MANUFACTURING AND RETAILING, EACH AREA FOCUSES ON THE DETAILS THAT WILL ASSURE YOU A LOW PRICE. BUT NEVER AT THE EXPENSE OF FUNCTION, STYLING, OR GOOD SENSE.

A "READY - TO - ASSEMBLE" ITEM REDUCES TRANSPORTATION AND WAREHOUSING COSTS WHICH HELP YOUR RETAILER KEEP THEIR PRICES REASONABLE. NOW, YOU ARE JOINING "TEAM ADEPTUS" WITH THE FINAL STEP, ASSEMBLY.

• YOU ASSEMBLE, YOU SAVE •

**WELCOME TO ADEPTUS!**

---

## This is a **SOLID WOOD** product:

We inspect all wood, and follow guidelines to pass quality inspections. Solid wood furniture has knots, small cracks, and what may look like blemishes. These characteristics are a natural by product of producing furniture from natural material.

We take extra care with our drawer parts:

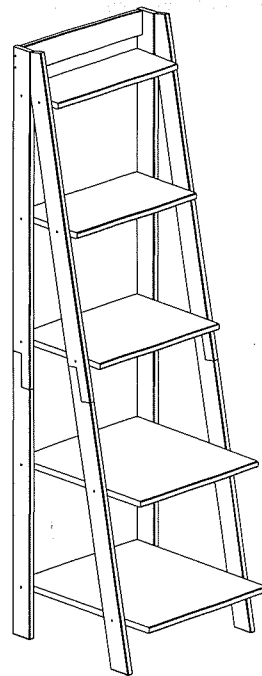
1. We use real wood drawers sides.
2. The drawer sides are not painted to help protect your clothes from chemical odors and residue.
3. Finely sanded drawer parts eliminate snags when storing your clothes.



**IMPORTANT**

Perform the entire assembly on a clean, hard surface using the flattened box or a towel to protect the surface and the unit's finish. DO NOT assemble on carpet.

Carpet creates too much bounce making assembly difficult and could lead to damage of the parts.



**PLEASE NOTE:**

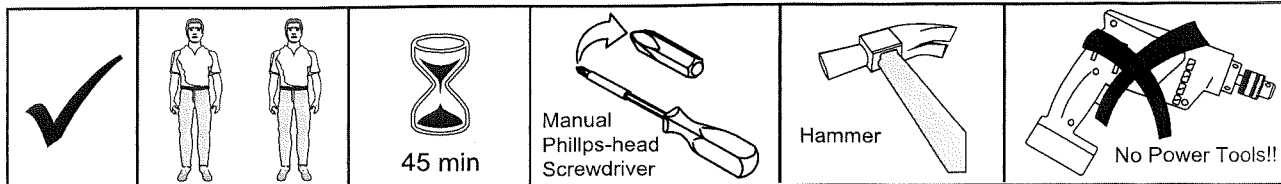
**DOWELS (PART A) VARY EVER SO SLIGHTLY. IF A DOWEL (PART A) IS LOOSE, WE PREFER YOU CALL OUR TOLL FREE NUMBER FOR ADDITIONAL DOWELS - VS GLUING THE DOWEL.**

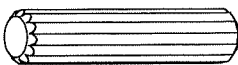
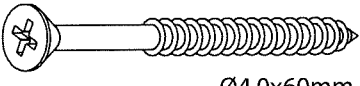

**IF YOU CHOOSE TO GLUE THE PARTS, COMPLETELY TEST THE ASSEMBLY FIRST. WE DO NOT SUPPLY GLUE.**

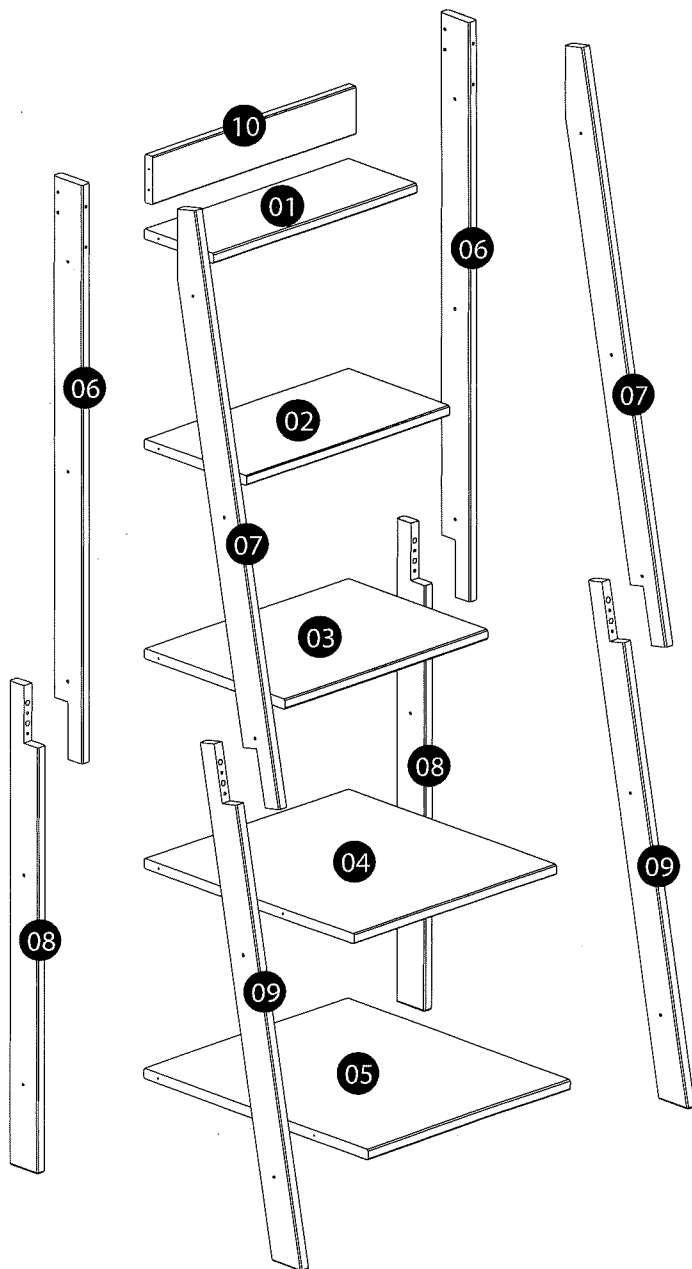
**Safety and Care Advice**

- Check you have all the components and tools listed on pages 3 & 4.
- Remove all fittings from the plastic bags and separate them into their groups.
- Keep children and animals away from the work area, small parts could choke if swallowed.
- Make sure you have enough space to layout the parts before starting.
- Do not stand or put weight on the product, this could cause damage.
- Assemble the item as close to its final position (in the same room) as possible.
- Opened box can be used to protect your floor or counter during assembly.
- Assembly is easier for drawer parts on a counter.
- Parts of the assembly will be easier with 2 people.
- We do not recommend the use of power drill/drivers for inserting screws, as this could damage the unit.
- Only use hand screwdrivers.
- Dispose of all packaging carefully and responsibly.

**These tools are not supplied by the manufacturer.**

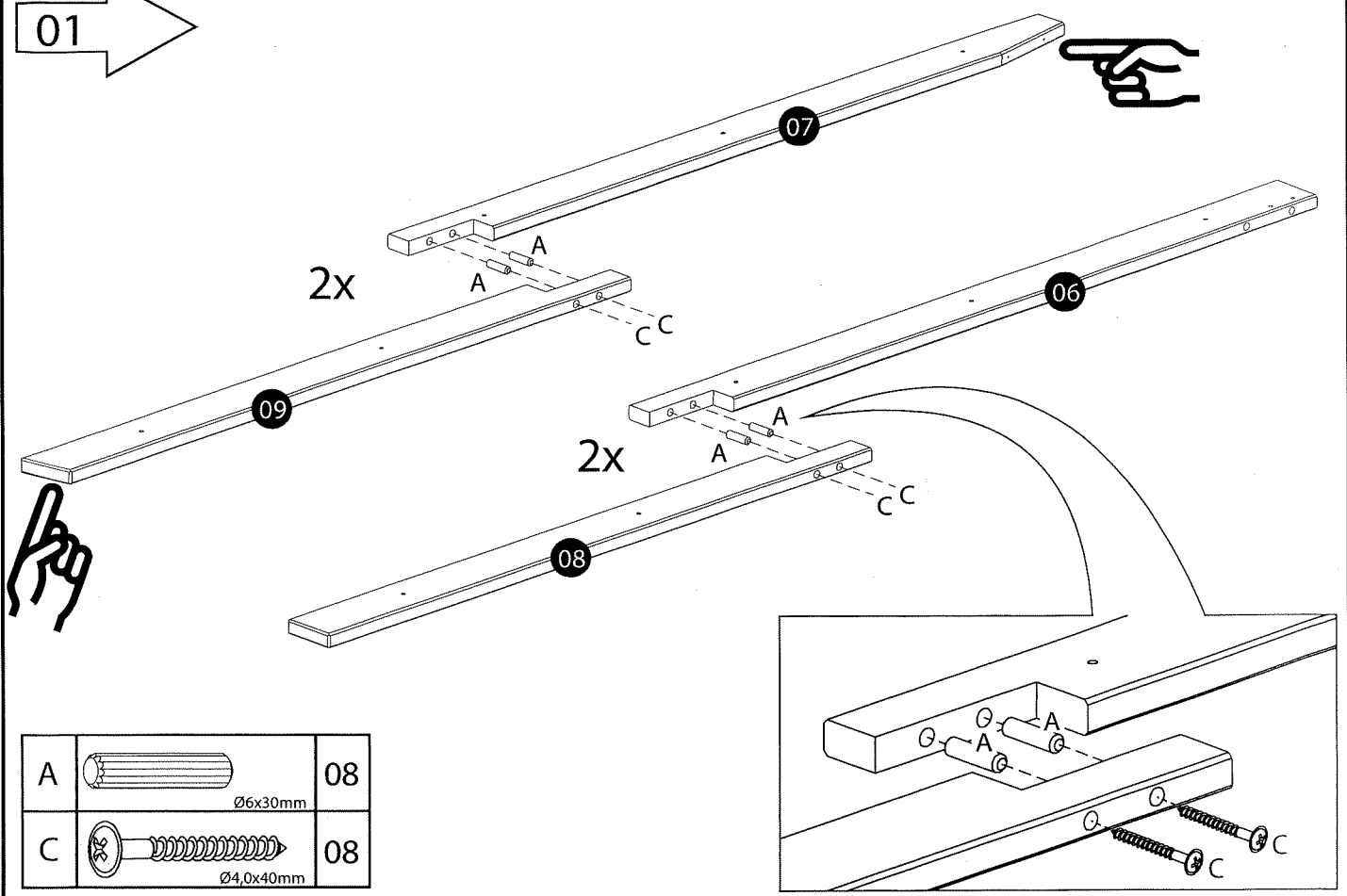


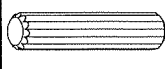
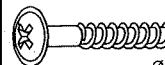
|   |   |    |
|---|---|----|
| A | <br>Ø6x30mm    | 08 |
| B | <br>Ø4,0x60mm | 04 |
| C | <br>Ø4,0x40mm  | 32 |



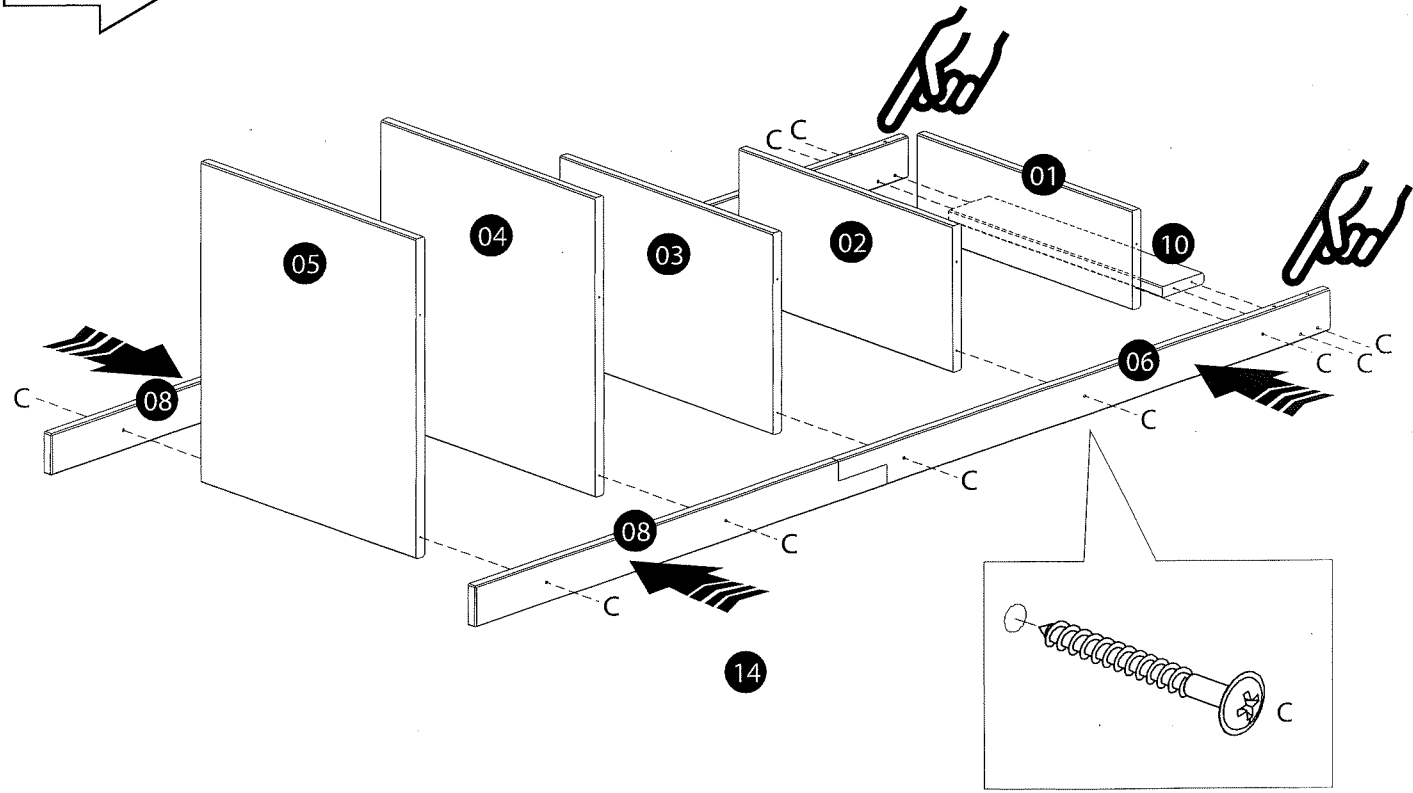
|    |                  |
|----|------------------|
| 01 | Shelf 1          |
| 02 | Shelf 2          |
| 03 | Shelf 3          |
| 04 | Shelf 4          |
| 05 | Shelf 5          |
| 06 | Upper back legs  |
| 07 | Upper front legs |
| 08 | Lower back legs  |
| 09 | Lower front legs |
| 10 | Rail             |

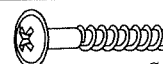
01



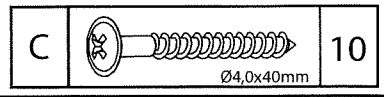
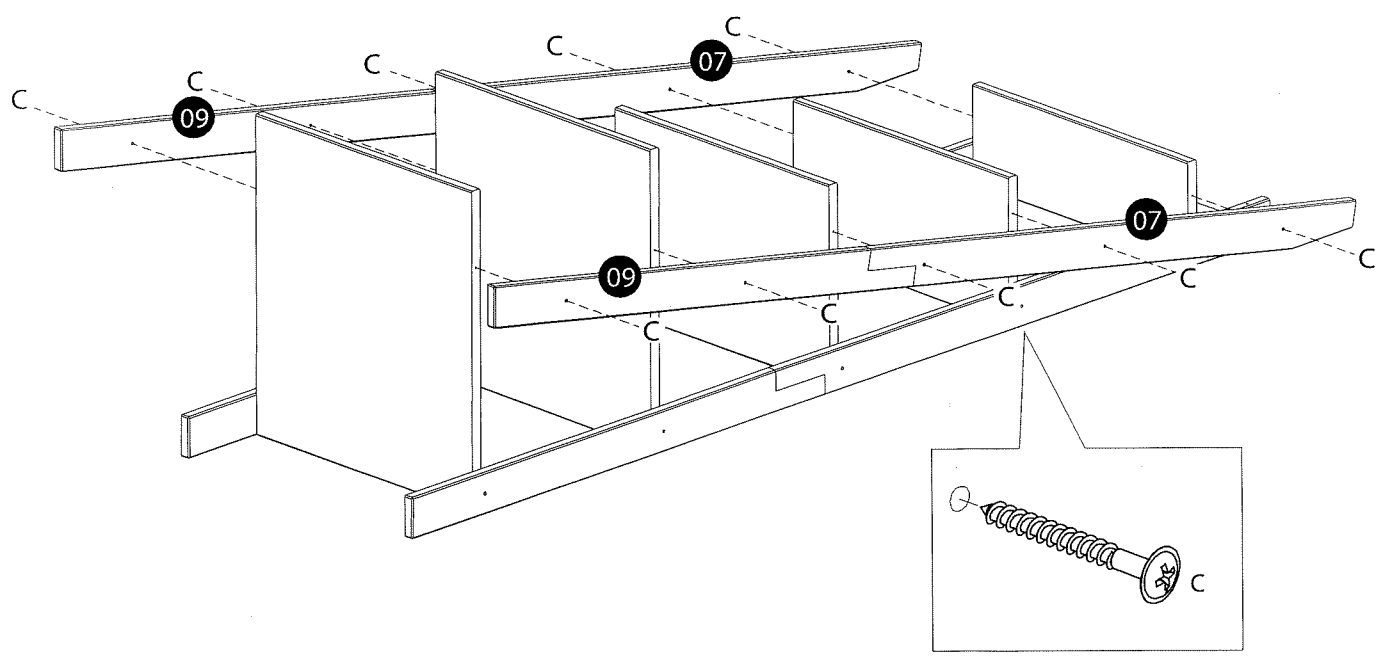
|   |   |    |
|---|---|----|
| A |  | 08 |
| C |  | 08 |

02

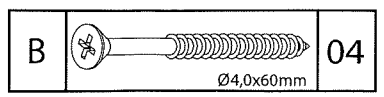
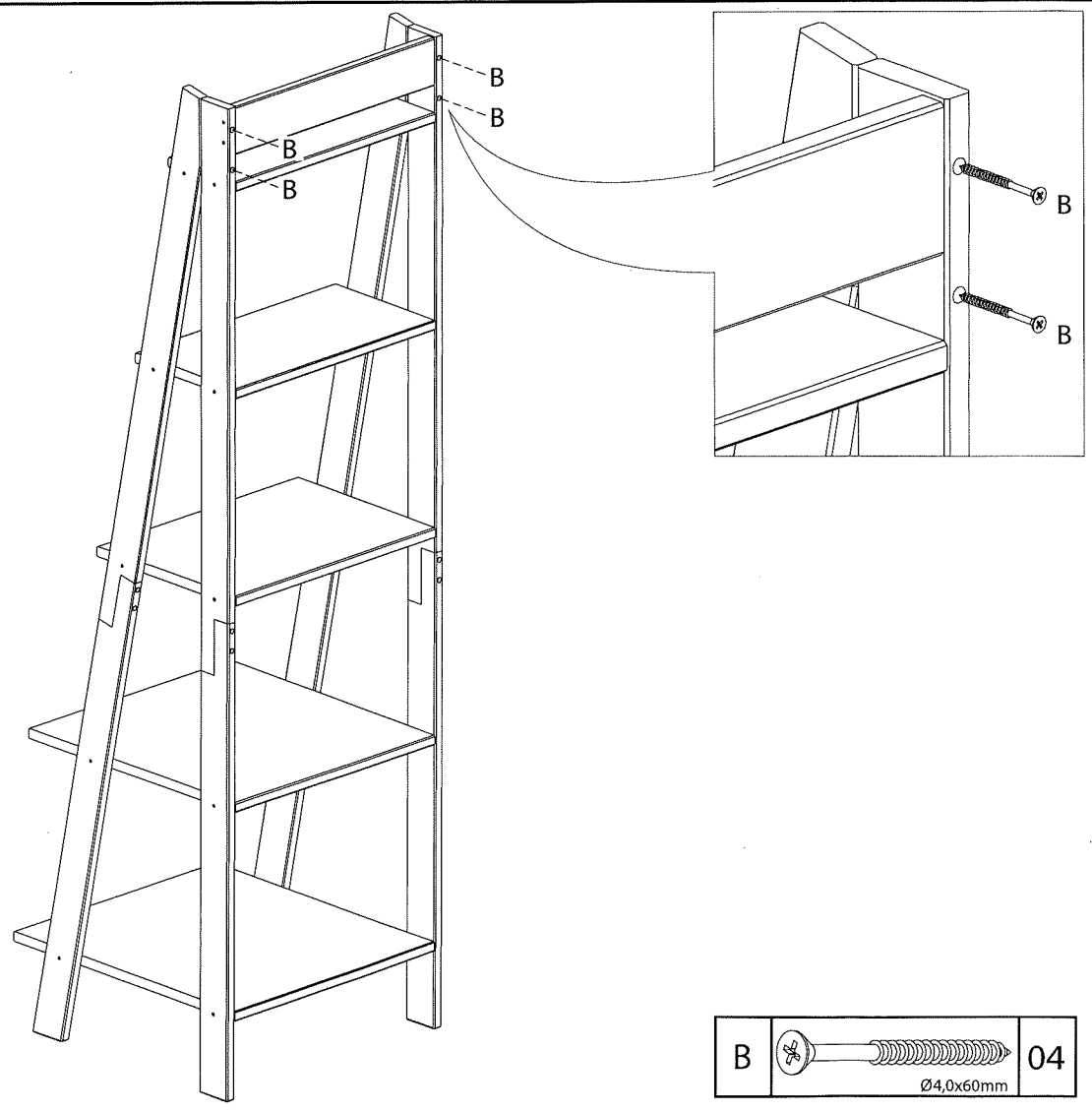


|   |   |    |
|---|---|----|
| C |  | 14 |
|---|---|----|

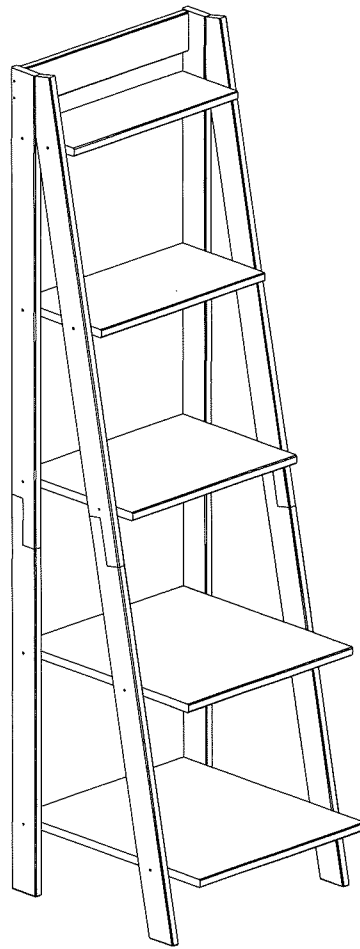
03



04



**COMPLETED ASSEMBLY:  
THANK YOU FOR YOUR PURCHASE, AND WELCOME TO ADEPTUS!**



**USE AND CARE INSTRUCTIONS:**

**CARE INSTRUCTIONS:**

- **MORMAL USE: WIPE WITH A CLEAN CLOTH.**
- **WHEN NEEDED TO CLEAN SCUFFS: WIPE CLEAN WITH A SLIGHTLY DAMP CLOTH AND A MILD CLEANER. THEN WIPE DRY WITH A CLEAN CLOTH.**
- **DO NOT USE ABRASIVE CLEANERS OR CHEMICALS.**

**USE:**

- **FOR STORAGE OF NONPERSISHBLE FOODS, LINENS OR OTHER KITCHEN SUPPLIES.**
- **OR USE FOR GENERAL STOARGE IN ANY ROOM OF THE HOUSE.**