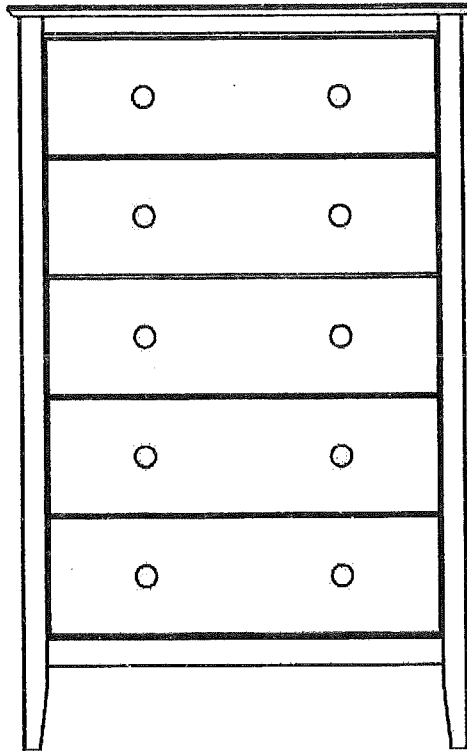


ADEPTUS

ASSEMBLY INSTRUCTIONS

Easy Pieces Five Drawer Chest

56114 WHITE FINISH



CUSTOMER SERVICE AND REPLACEMENT PARTS:

FOR FASTER SERVICE ON PARTS, PLEASE GO TO OUR WEBSITE AT WWW.ADEPTUS.COM;
OR CALL TOLL FREE 1.888.ADEPTUS (1.888.233.7887) FOR ASSEMBLY QUESTIONS.
MON- FRI 10 A.M. TO 4 P.M. E.S.T., CLOSED HOLIDAYS.

IF YOU CALL, PLEASE HAVE ON HAND:

- PRODUCT NAME AND STOCK NUMBER
- WHEN AND WHERE THE UNIT WAS PURCHASED
- P.O. NUMBER FROM THE BOTTOM OF THIS PAGE

IF WE ARE BUSY HELPING OTHER CUSTOMERS, PLEASE LEAVE YOU NAME AND NUMBER
TO RECEIVE A RETURN CALL.
YOUR RETAILER MAY ALSO PROVIDE SERVICE OR PARTS.

HELPFUL OVERALL:

- SAVE THESE INSTRUCTION SHEETS AND THE BOX UNTIL YOU ARE SATISFIED WITH THE ASSEMBLY.
- DO NOT GLUE THE PARTS OF THE UNIT TOGETHER UNLESS YOU HAVE TESTED THE ASSEMBLY FIRST.
- PERFORM THE ASSEMBLY ON A CLEAN HARD SURFACE USING THE FLATTENED CARTON OR A TOWEL TO PROTECT THE SURFACE AND THE FINISH OF THE UNIT. DO NOT ASSEMBLE ON CARPET.

VISIT WWW.ADEPTUS.COM TO REGISTER YOUR PRODUCT AND SEE THE COMPLETE ADEPTUS LINE. REGISTRATION IS REQUIRED FOR PARTS REQUESTS.

THANK YOU FOR YOUR PURCHASE AND WELCOME TO ADEPTUS!

NOTICE: THE WRITTEN INSTRUCTIONS CONTAINED HEREIN ARE COPYRIGHTED. © copyright all rights reserved

Many People, One Thought

PROVIDING QUALITY SOLID WOOD FURNITURE AT AN AFFORDABLE PRICE HAS BEEN A GROUP EFFORT. FROM CONCEPT TO PRODUCT DESIGN, MANUFACTURING AND RETAILING, EACH AREA FOCUSES ON THE DETAILS THAT WILL ASSURE YOU A LOW PRICE. BUT NEVER AT THE EXPENSE OF FUNCTION, STYLING, OR GOOD SENSE.

A "READY - TO - ASSEMBLE" ITEM REDUCES TRANSPORTATION AND WAREHOUSING COSTS WHICH HELP YOUR RETAILER KEEP THEIR PRICES REASONABLE. NOW, YOU ARE JOINING "TEAM ADEPTUS" WITH THE FINAL STEP, ASSEMBLY.

• YOU ASSEMBLE, YOU SAVE •

WELCOME TO ADEPTUS!




This is a **SOLID WOOD** product:

We inspect all wood and follow quality assurance guidelines that pass third-party inspections.

Note: Real wood has knots, small cracks, and what may look like blemishes. These characteristics are expected when producing furniture from natural material.


We take extra care with our drawer parts:

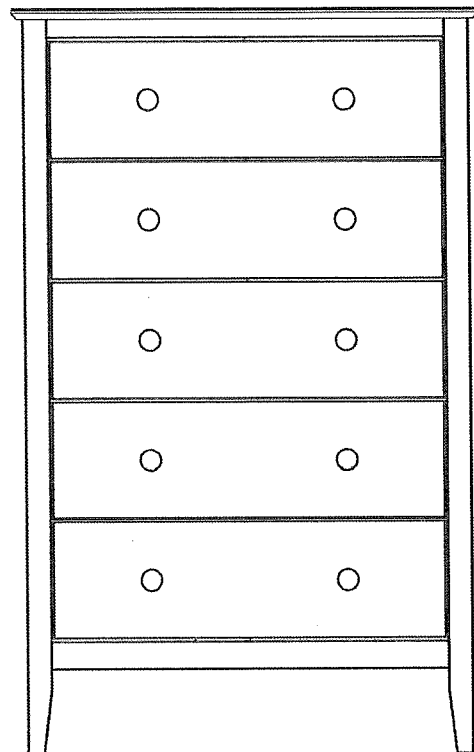
1. We use real wood drawer sides and drawer backs.
2. Drawer sides and backs are not finished to protect fabrics from any residual paint odor.
3. Drawer parts are finely sanded to prevent snags.


IMPORTANT

Perform assembly on a clean, hard surface using the flattened box or a towel to protect the surface & the unit's finish. **DO NOT** assemble on carpet.

Carpet creates too much bounce making assembly difficult and could lead to damage of the parts.

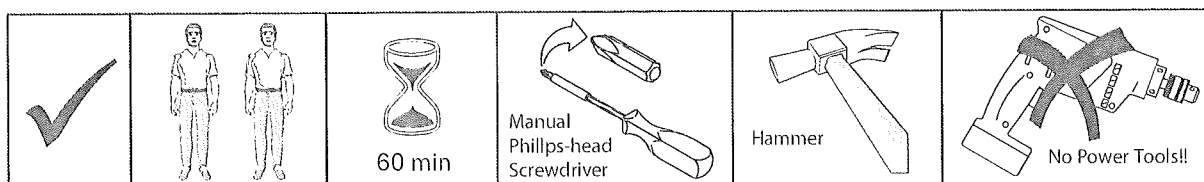

DO NOT FORCE OR OVER-TIGHTEN THE SCREWS. DOING SO CAN DAMAGE THE PARTS.

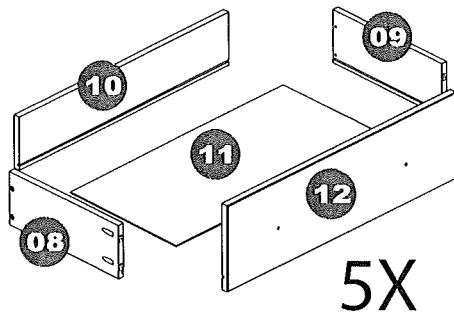
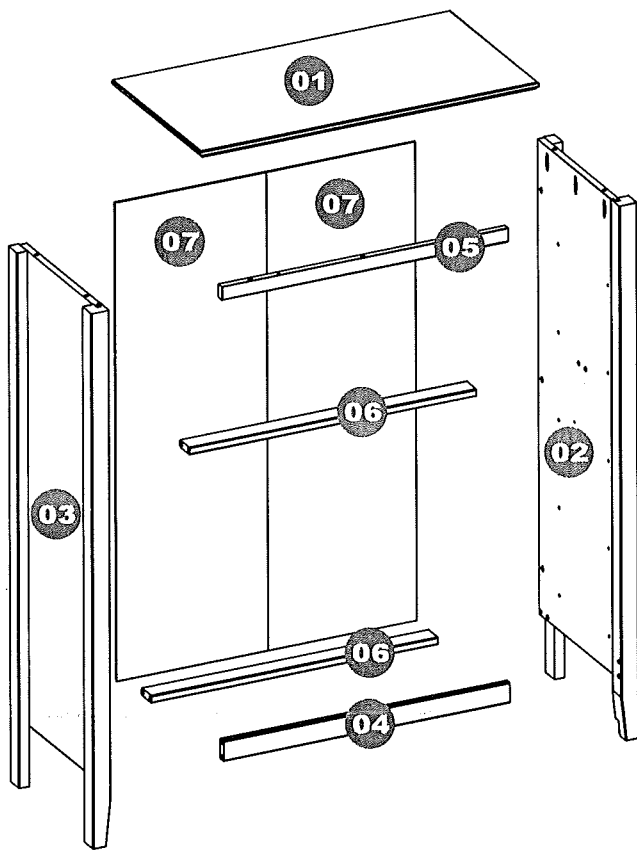


Safety and Care Advice







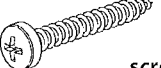





- Check that you have all the components and tools listed on pages 3 & 4.
- Remove all fittings from the plastic bags and separate them into their groups.
- Keep children and animals away from the work area, small parts could choke if swallowed.
- Make sure you have enough space to layout the parts before starting.
- Do not stand or put weight on the product, this could cause damage.
- Assemble the item as close to its final position (in the same room) as possible.
- Opened box can be used to protect your floor or counter during assembly.
- Assembly is easier for drawer parts on a counter.
- Parts of the assembly will be easier with 2 people.
- We do not recommend the use of power drill/drivers for inserting screws, as over-tightening could damage the unit.
- Only use hand screwdrivers.
- Dispose of all packaging carefully and responsibly. Please recycle the box. Go green
- Never sit, stand or allow children to climb on the assembled unit.

These tools are not supplied by the manufacturer.





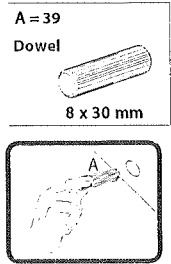
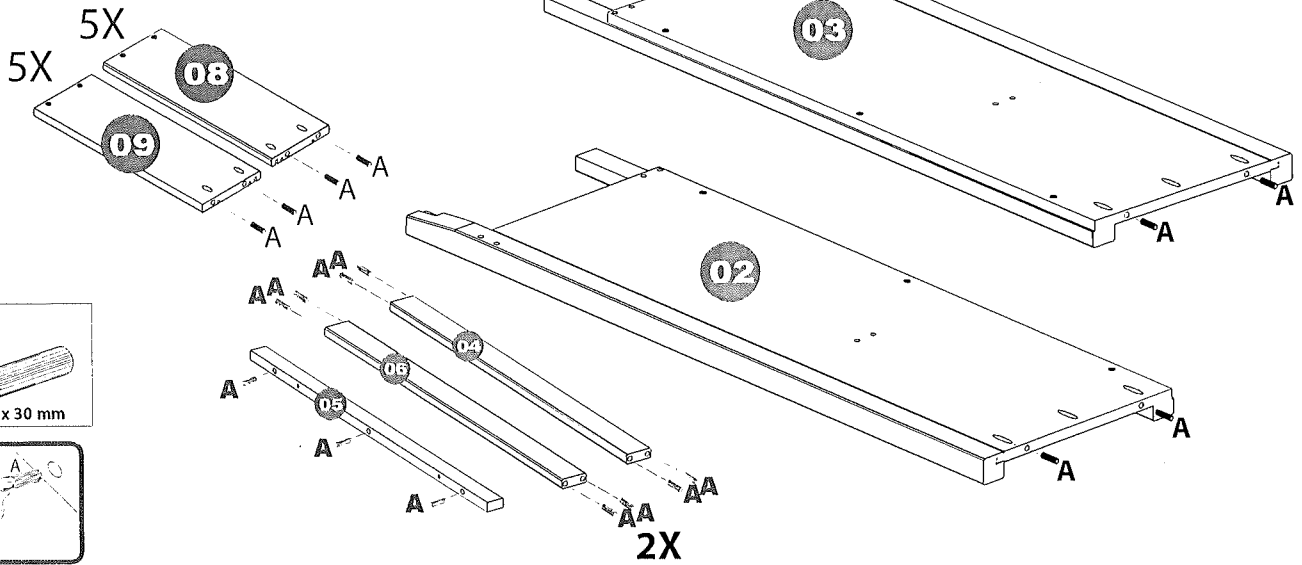
01	Top
02	Right Side Panel
03	Left Side Panel
04	Front Crossbar
05	Top Crossbar
06	Bottom Crossbars
07	Back Panel
08	Left Drawer Side
09	Right Drawer Side
10	Drawer Back
11	Drawer Bottom
12	Drawer Front

A = 39 Dowel  8 x 30 mm	B = 20  Screw (drawer runner to side panel) 6 x 10 mm	C = 53  Screw 3.5 x 30 mm	D = 5 (Right side)  CR DR Drawer runner set	E = 5 (Left side)  CL DL Drawer runner set
F = 22  Back panel nail	G = 12  screw 4.0 x 40 mm	H = 10  Knob	I = 31  Screw (drawer runner to drawer side & anti-tip) 3 x 16 mm	J = 01  Wall Anchor
L = 02  Anti-tip Bracket	M = 01  Anti-tip Strap			

1

PREPARE PARTS FOR ASSEMBLY

INSERT DOWELS INTO THE PARTS, AS SHOWN.



2

ATTACH CABINET RIGHT DRAWER RUNNERS

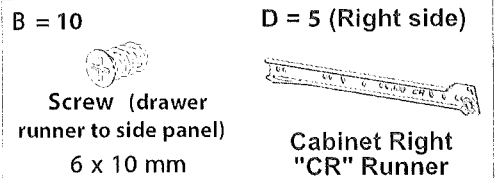
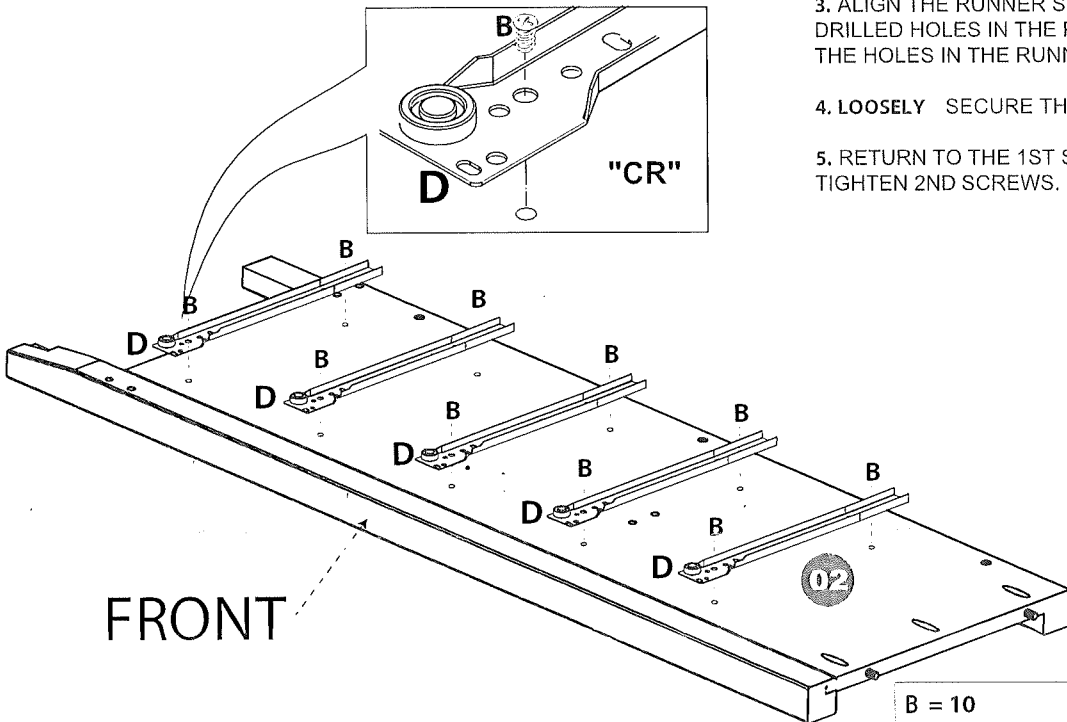
1. WITH THE WHEEL END OF THE RUNNER TOWARD THE FRONT (FINISHED) EDGE OF THE PANEL, ALIGN THE PRE-DRILLED HOLE IN THE PANEL WITH THE SECOND HOLE BACK FROM THE WHEEL.

2. LOOSELY SECURE THE FRONT END OF THE RUNNER USING THE PART B SCREW.

3. ALIGN THE RUNNER SO THE REMAINING 2 PRE-DRILLED HOLES IN THE PANEL ARE VISIBLE THROUGH THE HOLES IN THE RUNNER.

4. LOOSELY SECURE THE 2ND SCREWS.

5. RETURN TO THE 1ST SCREW & TIGHTEN. THEN TIGHTEN 2ND SCREWS.

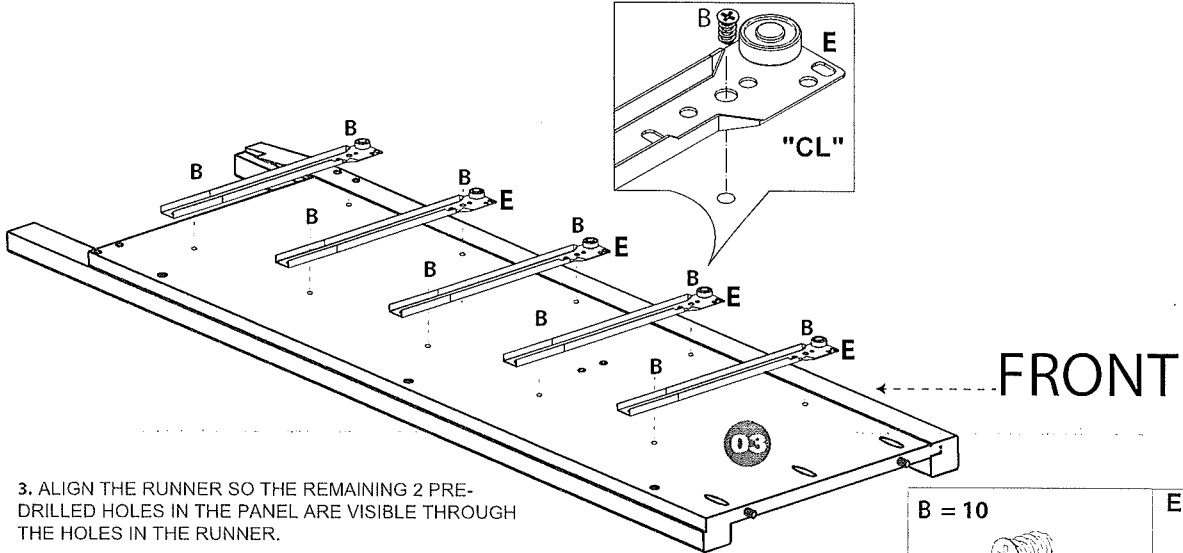


3

ATTACH CABINET LEFT DRAWER RUNNERS

1. WITH THE WHEEL END OF THE RUNNER TOWARD THE FRONT (FINISHED) EDGE OF THE PANEL, ALIGN THE PRE-DRILLED HOLE IN THE PANEL WITH THE SECOND HOLE BACK FROM THE WHEEL.

2. LOOSELY SECURE THE FRONT END OF THE RUNNER USING THE PART B SCREW.



3. ALIGN THE RUNNER SO THE REMAINING 2 PRE-DRILLED HOLES IN THE PANEL ARE VISIBLE THROUGH THE HOLES IN THE RUNNER.

4. LOOSELY SECURE THE 2ND SCREWS.

5. RETURN TO THE 1ST SCREW & TIGHTEN. THEN TIGHTEN 2ND SCREWS.

B = 10

Screw (drawer runner to side panel)
6 x 10 mm

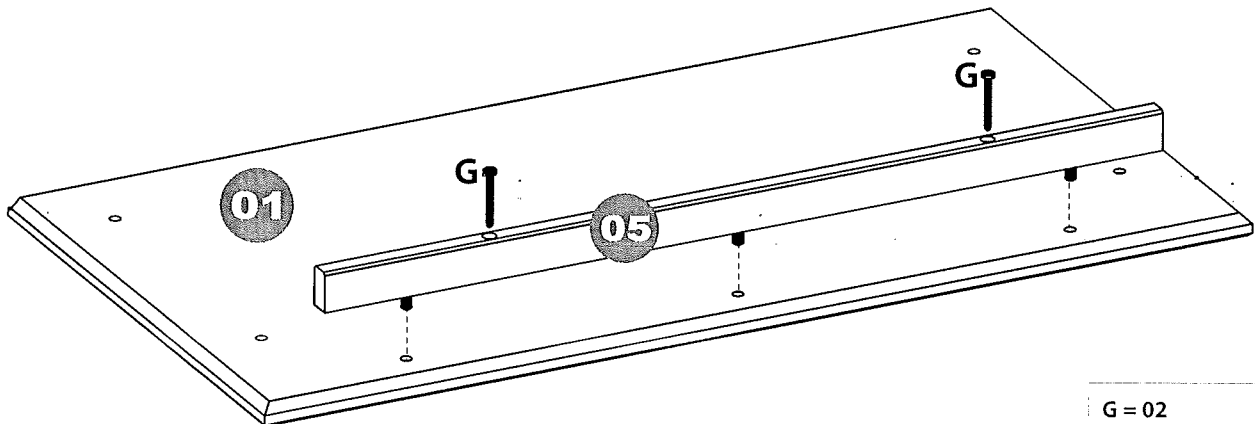
E = 5 (Left side)

Cabinet Left "CL" Runner

4

ATTACH RAIL TO THE TOP PANEL

1. ATTACH FRONT CROSSBAR IN THE TOP PANEL USING THE PART G SCREW



G = 02

Screw
4.0 x 40 mm

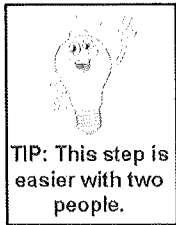
5

ATTACH CROSSBARS TO SIDE PANELS

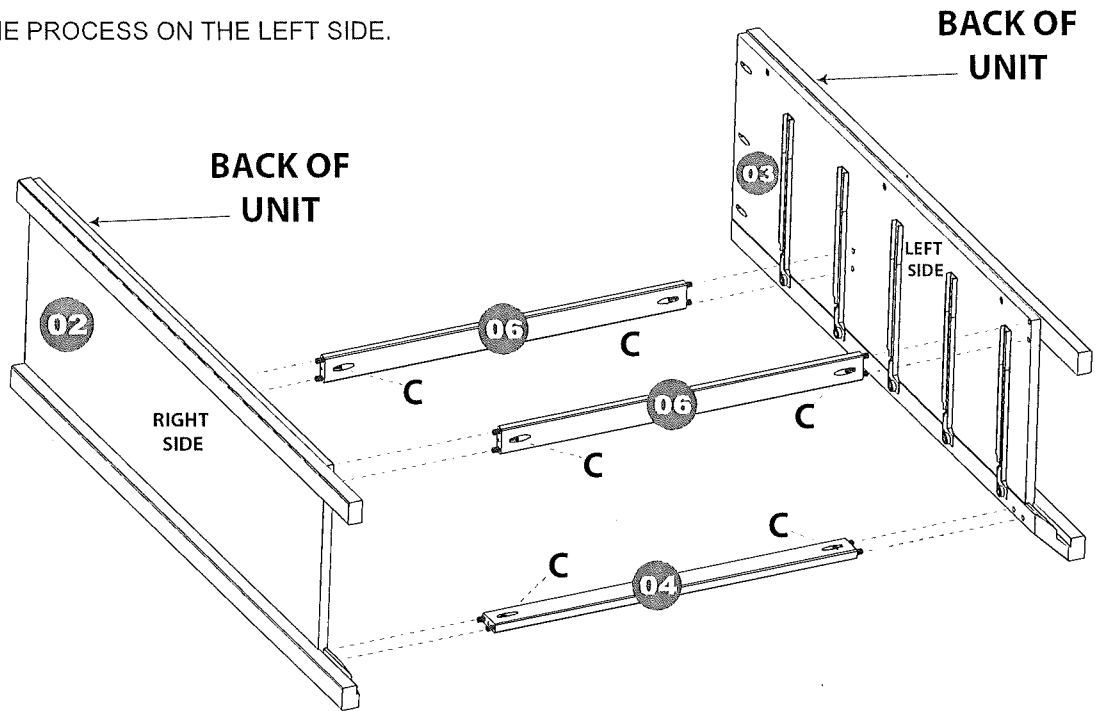
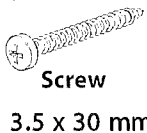
1. ALIGN THE DOWELS IN THE CROSSBARS WITH THE DOWEL HOLES IN THE RIGHT SIDE PANEL. THEN PUSH PARTS TOGETHER UNTIL FLUSH.
2. SECURE EACH CROSSBAR WITH 1 PART C SCREW.
3. REPEAT THE PROCESS ON THE LEFT SIDE.

NOTE: THE UNIT IS LAYING ON ITS FRONT SIDE.

MAKE CERTAIN THE FRONT FACING CROSSBARS HAVE THE BEST FINISHED SIDE FACING FORWARD.



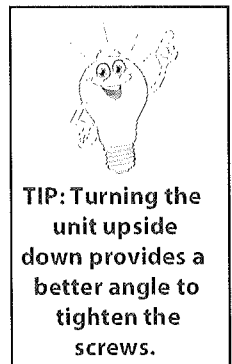
C = 6



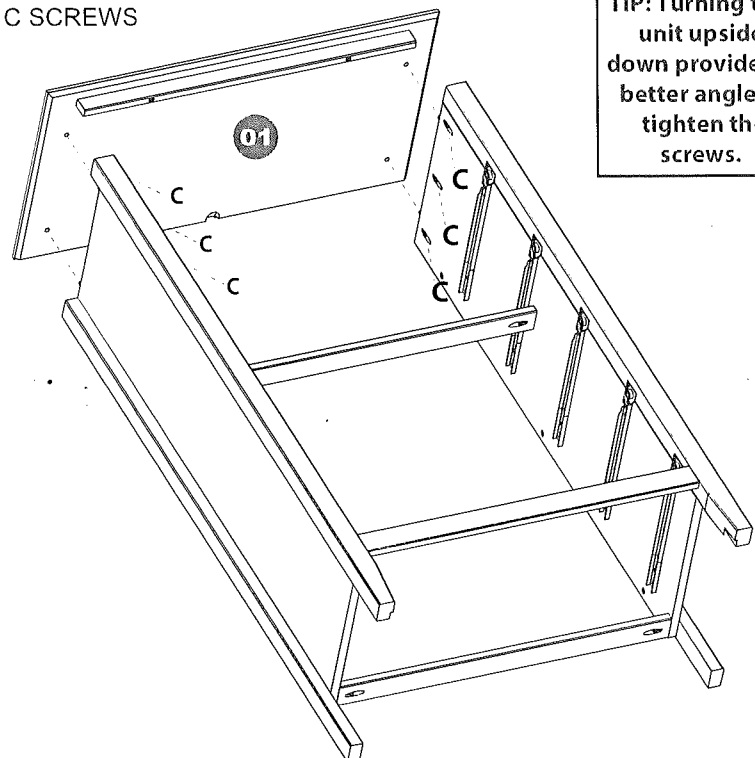
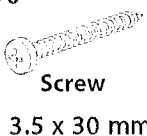
6

ATTACH THE TOP

1. ALIGN THE DOWELS IN THE SIDE PANELS WITH THE PRE-DRILLED DOWEL HOLES IN THE TOP PANEL AND PUSH THE PARTS TOGETHER UNTIL FLUSH.
2. SECURE THE TOP WITH 6 PART C SCREWS



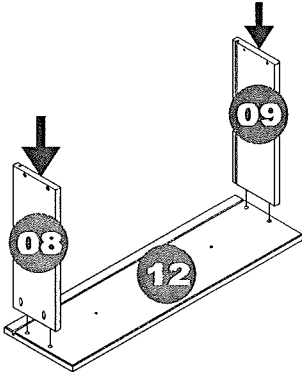
C = 6



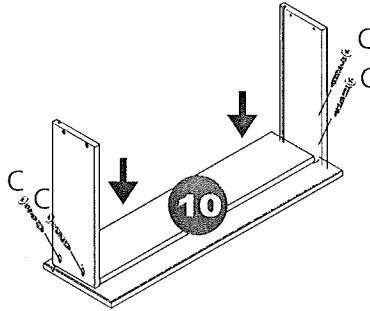
07

ASSEMBLE THE DRAWER BOX 5X

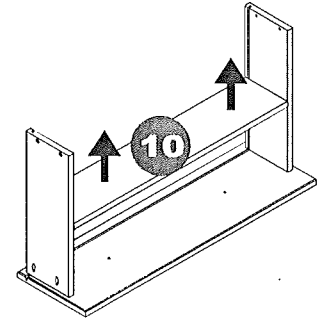
IMPORTANT! MAKE SURE THE GROOVES IN THE DRAWER FRONT AND BOTH SIDES ALL ALIGN BEFORE TIGHTENING THE SCREWS.



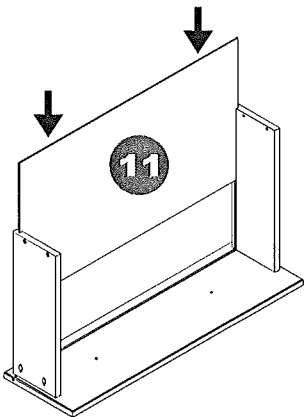
1. ALIGN THE DOWELS IN THE DRAWER SIDES WITH THE PRE-DRILLED HOLES IN THE DRAWER FRONT AND PUSH UNTIL THE PARTS ARE FLUSH.



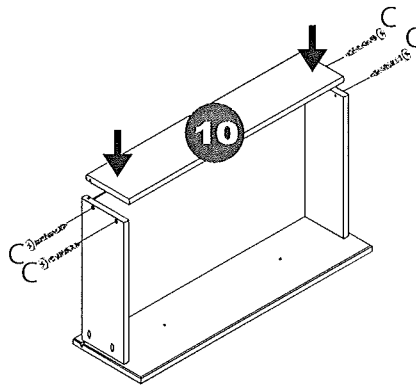
2. USE THE DRAWER BACK TO SUPPORT THE DRAWER SIDES. THEN SECURE THEM TO THE DRAWER FRONT.



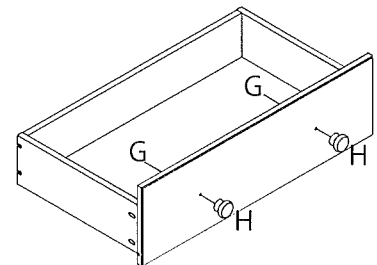
3. REMOVE THE DRAWER BACK.



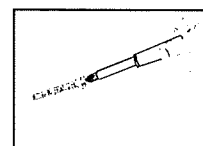
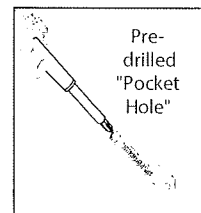
4. SLIDE IN THE DRAWER BOTTOM. MAKE SURE IT IS ALL THE WAY FORWARD & IN THE GROOVE ON THE DRAWER FRONT.



5. MAKE SURE THE DRAWER BOTTOM IS IN THE GROOVE IN THE DRAWER BACK AND THE DRAWER BACK IS FLUSH WITH THE DRAWER SIDES. SECURE WITH 2 PART-C SCREWS ON EACH SIDE.



6. ATTACH THE KNOB TO THE DRAWER FRONT.

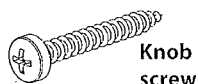


C = 40



3.5 x 30mm

G = 10



4.0 x 40 mm

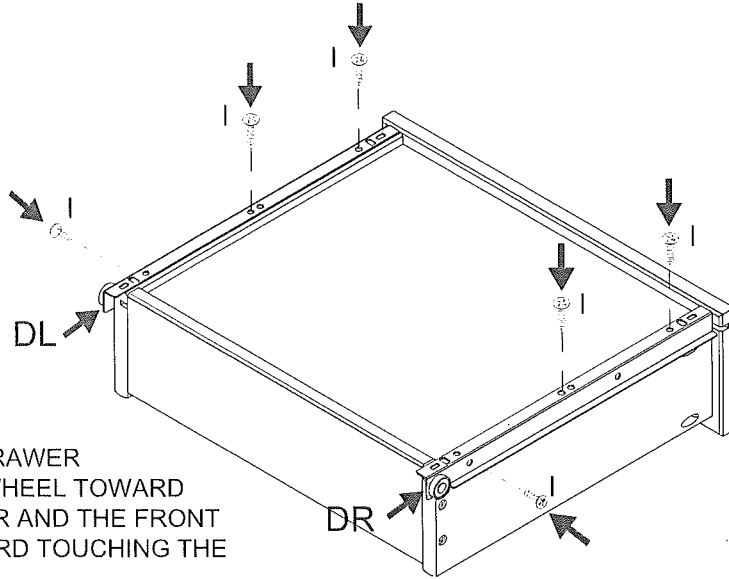
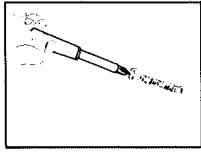
H = 10




Knob


08

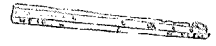
ATTACH THE DRAWER RUNNERS X5




1. POSITION THE RIGHT DRAWER RUNNER "DR" WITH THE WHEEL TOWARD THE BACK OF THE DRAWER AND THE FRONT END ALL THE WAY FORWARD TOUCHING THE DRAWER FRONT.
2. FIRST SCREW GOES IN THE THIRD HOLE BACK FROM THE DRAWER FRONT.
3. SECOND SCREW GOES IN THE FIFTH BACK HOLE FROM THE DRAWER FRONT.
4. THIRD SCREW GOES IN FROM THE SIDE THROUGH THE FIRST HOLE IN FRONT OF THE WHEEL.
5. REPEAT THE PROCESS ON THE LEFT SIDE AND FOR EACH DRAWER.

 **TIP:** To make this step easier, place the drawer upside down on a counter with the drawer front hanging off the edge. This will allow the drawer box to lay flat and provide better control for tightening the screws.

I = 30 Screw (drawer runner to drawer side)

3 x 16 mm

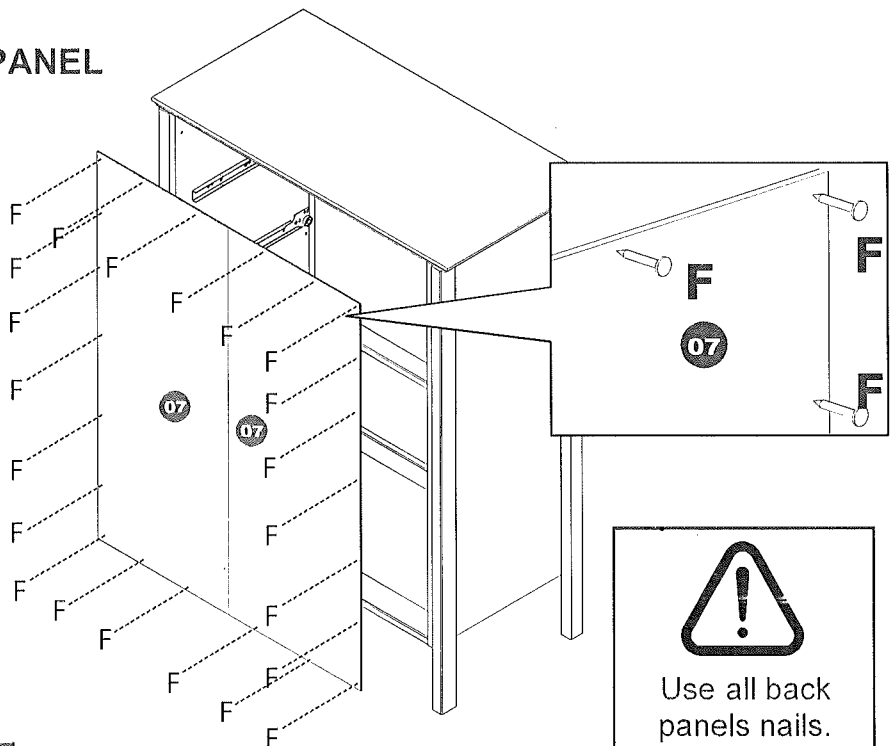
D = 5 (Right side)

Drawer Right "DR" Runner


E = 5 (Left side)

Drawer Left "DL" Runner

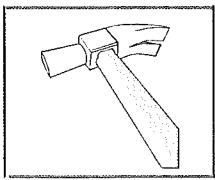
09

ATTACH THE BACK PANEL

1. UNFOLD THE BACK PANEL AND POSITION IT ON THE UNIT.
2. MAKE SURE THE BACK PANEL FITS INTO THE GROOVE ON THE BACK OF THE TOP PANEL.
3. SECURE THE BACK PANEL WITH THE BACK PANEL NAILS.



F = 22 Back panel nail




 Use all back panels nails. Evenly spaced, they help make the unit strong.

10 SECURE THE UNIT TO THE WALL WITH THE ANTI-TIP KIT

1. INSERT THE ANCHOR INTO THE WALL APPROXIMATELY 1185 MM (46.7 IN) FROM THE FLOOR (ADJUST FOR CARPET OR RUG THICKNESS IF APPLICABLE).

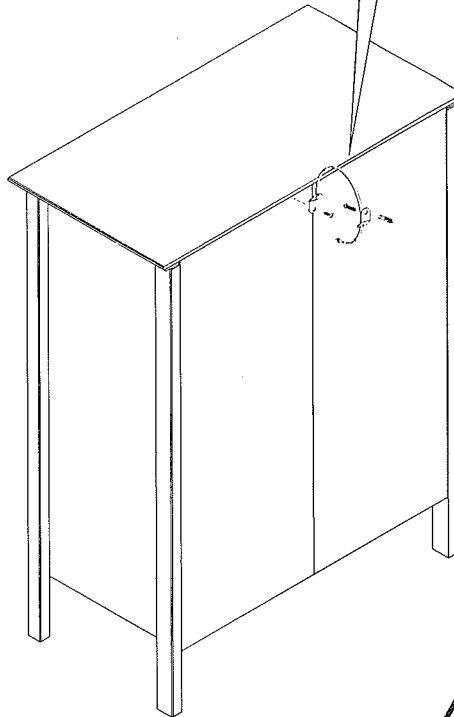
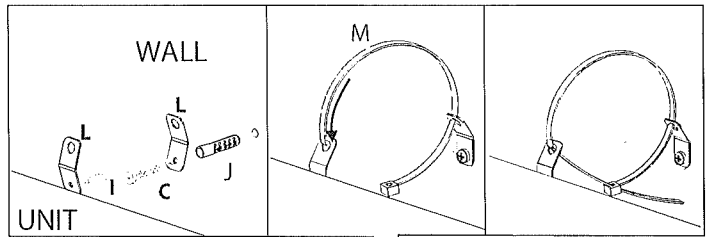
2. FEED PART C SCREW THROUGH THE SMALLER HOLE IN THE BRACKET AND SECURE INTO THE WALL ANCHOR. THE OTHER END OF THE BRACKET SHOULD BE UPWARD.

3. FEED PART I SCREW THROUGH THE SMALLER HOLE IN THE OTHER BRACKET AND SECURE THROUGH THE BACK PANEL AND INTO THE CENTER OF THE TOP PANEL. THE OTHER END OF THE BRACKET SHOULD BE UPWARD.

4. FEED THE STRAP THROUGH THE LARGER HOLE IN THE WALL BRACKET FROM UNDERNEATH. BRING THE STRAP OVER TO THE UNIT BRACKET AND THROUGH THE HOLE FROM ABOVE.

5. INSERT THE POINTED END OF THE STRAP INTO THE CLASP END OF THE STRAP AND TIGHTEN DOWN.

SEE THE ENLARGED DIAGRAMS TO ENSURE PROPER INSTALLATION.



- The wall anchor supplied is for a masonry wall only.
- Make sure the plug you use is correct for your wall type.
- If you have any doubt, seek professional advice.



WARNING

SERIOUS OR FATAL CRUSHING INJURIES CAN OCCUR FROM FURNITURE TIP-OVER. TO AVOID TIP-OVER:

- PLACE HEAVIEST ITEMS IN THE LOWEST DRAWERS.
- UNLESS SPECIFICALLY DESIGNED TO ACCOMODATE, DO NOT SET TV'S OR OTHER HEAVY OBJECTS ON TOP OF THIS PRODUCT.
- NEVER ALLOW CHILDREN TO CLIMB OR HANG ON DOORS, DRAWERS OR SHELVES.
- NEVER OPEN MORE THAN ONE DRAWER AT A TIME.
- KEEP REMOTE CONTROLS, TOYS AND OTHER ITEMS THAT MAY ATTRACT CHILDREN OFF OF THIS PRODUCT.

USE OF TIP-OVER RESTRAINTS MAY ONLY REDUCE, BUT NOT ELIMINATE, THE RISK OF TIP-OVER.

I = 01



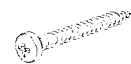
3.0 x 16mm

L = 02



Bracket

C = 01



3.5 x 30mm

M = 01



Anti-tip strap

J = 01



Wall anchor

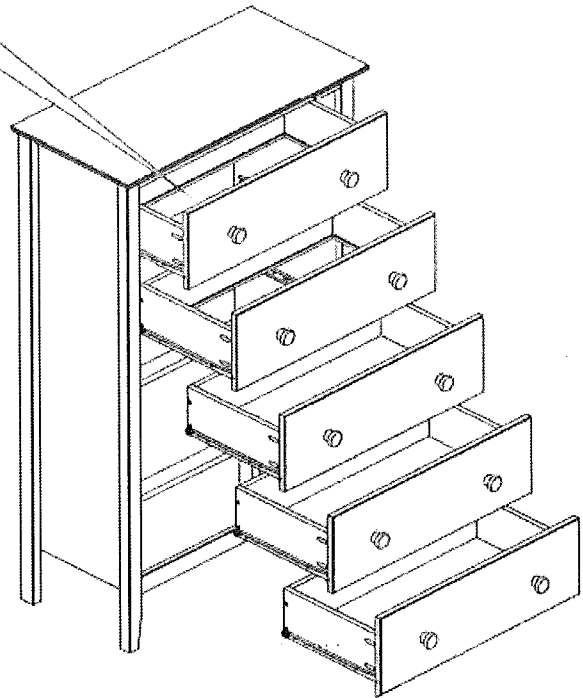
11

INSTALL THE DRAWERS

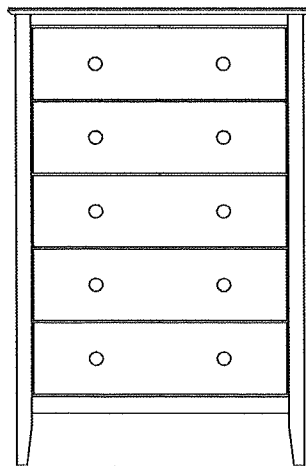
DO NOT STORE HEAVY ITEMS IN THE TOP DRAWERS. HEAVIER ITEMS SHOULD BE STORED IN THE LOWER DRAWERS TO REDUCE THE POSSIBILITY OF TIP-OVER.

1. START AT THE BOTTOM AND WORK UP.

2. HOLDING THE FRONT END OF THE DRAWER SIDES, TILT THE BACK OF THE DRAWER UPWARDS TO GET THE WHEELS ON THE DRAWER PAST THE WHEELS ON THE UNIT. ONCE THE WHEELS ARE CLEAR, LEVEL OUT THE DRAWER AND SLIDE IT IN.



**COMPLETED ASSEMBLY:
THANK YOU FOR YOUR PURCHASE, AND WELCOME TO ADEPTUS!**



CARE INSTRUCTIONS:

- NORMAL USE: WIPE WITH A CLEAN CLOTH.
- WHEN NEEDED TO CLEAN SCUFFS: WIPE CLEAN WITH A SLIGHTLY DAMP CLOTH AND A MILD CLEANSER. THEN WIPE DRY WITH A CLEAN CLOTH. DO NOT USE HARSH CHEMICALS.
- OCCASIONALLY CHECK THAT THE SCREWS IN THE UNIT REMAIN TIGHT.

USE:

- CHEST OF DRAWERS FOR HOME STORAGE OF LINENS, CLOTHING AND ACCESSORIES.

