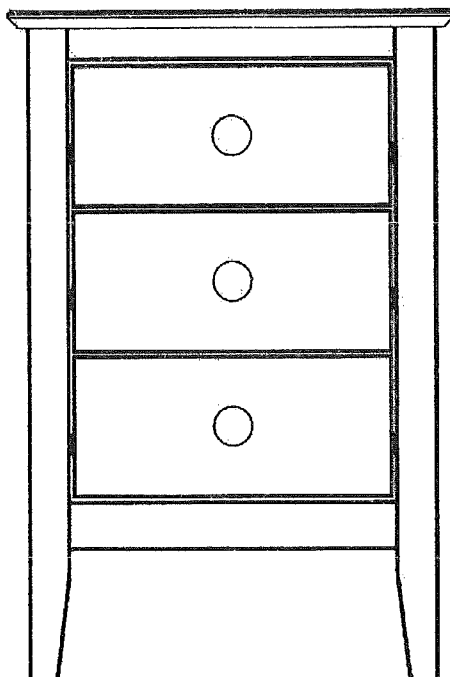


ADEPTUS[®]

ASSEMBLY INSTRUCTIONS

Easy Pieces Three Drawer End Table / Nightstand

56145 WHITE FINISH



CUSTOMER SERVICE AND REPLACEMENT PARTS:

FOR FASTER SERVICE ON PARTS, PLEASE GO TO OUR WEBSITE AT WWW.ADEPTUS.COM;
OR CALL TOLL FREE 1.888.ADEPTUS (1.888.233.7887) FOR ASSEMBLY QUESTIONS.
MON-FRI 10 A.M. TO 4 P.M. E.S.T., CLOSED HOLIDAYS.

IF YOU CALL, PLEASE HAVE ON HAND:

- PRODUCT NAME AND STOCK NUMBER
- WHEN AND WHERE THE UNIT WAS PURCHASED
- P.O. NUMBER FROM THE BOTTOM OF THIS PAGE

IF WE ARE BUSY HELPING OTHER CUSTOMERS, PLEASE LEAVE YOU NAME AND NUMBER
TO RECEIVE A RETURN CALL.
YOUR RETAILER MAY ALSO PROVIDE SERVICE OR PARTS.

HELPFUL OVERALL:

- SAVE THESE INSTRUCTION SHEETS AND THE BOX UNTIL YOU ARE SATISFIED WITH THE ASSEMBLY.
- DO NOT GLUE THE PARTS OF THE UNIT TOGETHER UNLESS YOU HAVE TESTED THE ASSEMBLY FIRST.
- PERFORM THE ASSEMBLY ON A CLEAN HARD SURFACE USING THE FLATTENED CARTON OR A TOWEL TO PROTECT THE SURFACE AND THE FINISH OF THE UNIT. DO NOT ASSEMBLE ON CARPET.

VISIT WWW.ADEPTUS.COM TO REGISTER YOUR PRODUCT AND SEE THE
COMPLETE ADEPTUS LINE. REGISTRATION IS REQUIRED FOR PARTS REQUESTS.

THANK YOU FOR YOUR PURCHASE AND WELCOME TO ADEPTUS!

NOTICE: THE WRITTEN INSTRUCTIONS CONTAINED HEREIN ARE COPYRIGHTED. © copyright all rights reserved

Many People, One Thought

PROVIDING QUALITY SOLID WOOD FURNITURE AT AN AFFORDABLE PRICE HAS BEEN A GROUP EFFORT. FROM CONCEPT TO PRODUCT DESIGN, MANUFACTURING AND RETAILING, EACH AREA FOCUSES ON THE DETAILS THAT WILL ASSURE YOU A LOW PRICE. BUT NEVER AT THE EXPENSE OF FUNCTION, STYLING, OR GOOD SENSE.

A "READY - TO - ASSEMBLE" ITEM REDUCES TRANSPORTATION AND WAREHOUSING COSTS WHICH HELP YOUR RETAILER KEEP THEIR PRICES REASONABLE. NOW, YOU ARE JOINING "TEAM ADEPTUS" WITH THE FINAL STEP, ASSEMBLY.

• YOU ASSEMBLE, YOU SAVE •

WELCOME TO ADEPTUS!


This is a **SOLID WOOD** product:

We inspect all wood and follow quality assurance guidelines that pass third-party inspections.

Note: Real wood has knots, small cracks, and what may look like blemishes. These characteristics are expected when producing furniture from natural material.

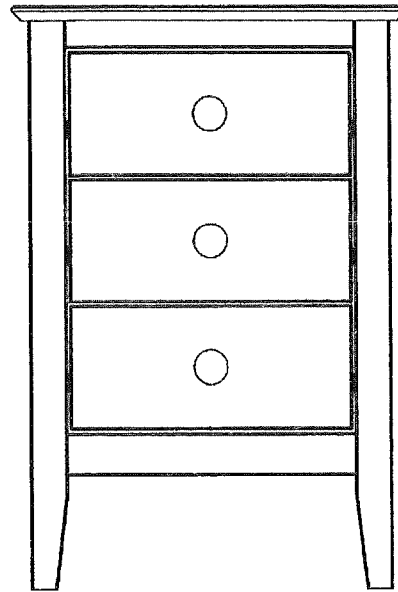
We take extra care with our drawer parts:

1. We use real wood drawer sides and drawer backs.
2. Drawer sides and backs are not finished to protect fabrics from any residual paint odor.
3. Drawer parts are finely sanded to prevent snags.


IMPORTANT

Perform assembly on a clean, hard surface using the flattened box or a towel to protect the surface & the unit's finish. **DO NOT** assemble on carpet.

Carpet creates too much bounce making assembly difficult and could lead to damage of the parts.



DO NOT FORCE OR OVER-TIGHTEN THE SCREWS. DOING SO CAN DAMAGE THE PARTS.

PLEASE NOTE:


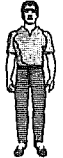

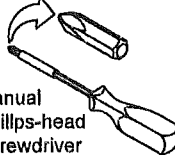

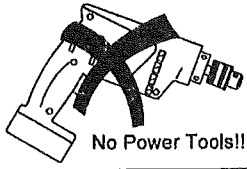
DOWELS (PART A) VARY EVER SO SLIGHTLY. IF A DOWEL (PART A) IS LOOSE, WE PREFER YOU CALL OUR TOLL FREE NUMBER FOR ADDITIONAL DOWELS - VS GLUING THE DOWEL.

IF YOU CHOOSE TO GLUE THE PARTS, COMPLETELY TEST THE ASSEMBLY FIRST. WE DO NOT SUPPLY GLUE.

Safety and Care Advice

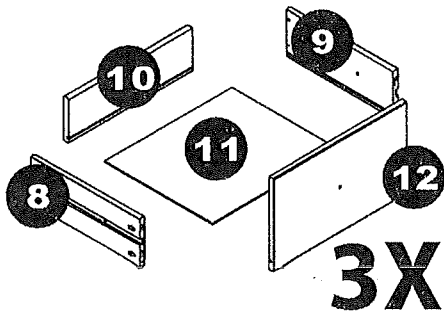
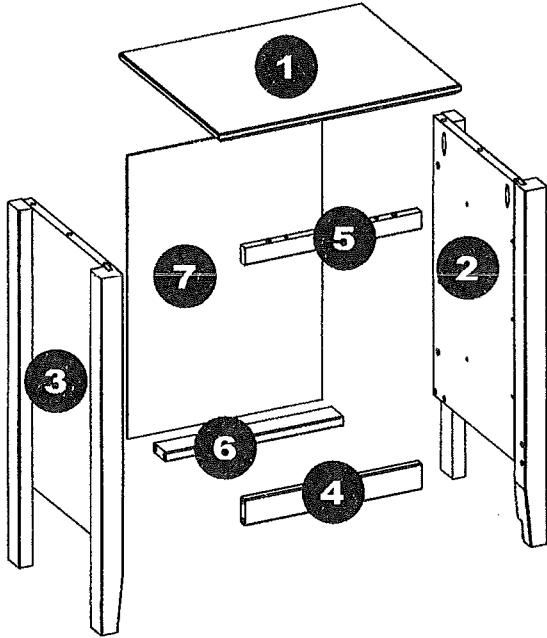
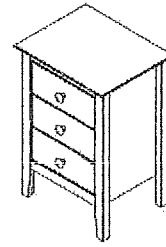
- Check you have all the components and tools listed on pages 3 & 4.
- Remove all fittings from the plastic bags and separate them into their groups.
- Keep children and animals away from the work area, small parts could choke if swallowed.
- Make sure you have enough space to layout the parts before starting.
- Do not stand or put weight on the product, this could cause damage.
- Assemble the item as close to its final position (in the same room) as possible.
- Opened box can be used to protect your floor or counter during assembly.
- Assembly is easier for drawer parts on a counter.
- Parts of the assembly will be easier with 2 people.
- We do not recommend the use of power drill/drivers for inserting screws, as this could damage the unit.
- Only use hand screwdrivers.
- Dispose of all packaging carefully and responsibly.
- Never sit, stand or allow children to climb on the assembled unit.

These tools are not supplied by the manufacturer.









		 90 min	 Manual Phillips-head Screwdriver	 Hammer	 No Power Tools!!
---	---	---	---	--	--

Easy Pieces Three Drawer End Table / Nightstand

#77245 - Espresso Finish



01	Top
02	Right Side Panel
03	Left Side Panel
04	Front Crossbar
05	Top Crossbar
06	Bottom Crossbar
07	Back Panel
08	Left Drawer Side
09	Right Drawer Side
10	Drawer Back
11	Drawer Bottom
12	Drawer Front

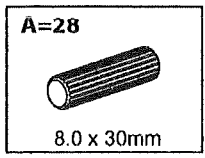
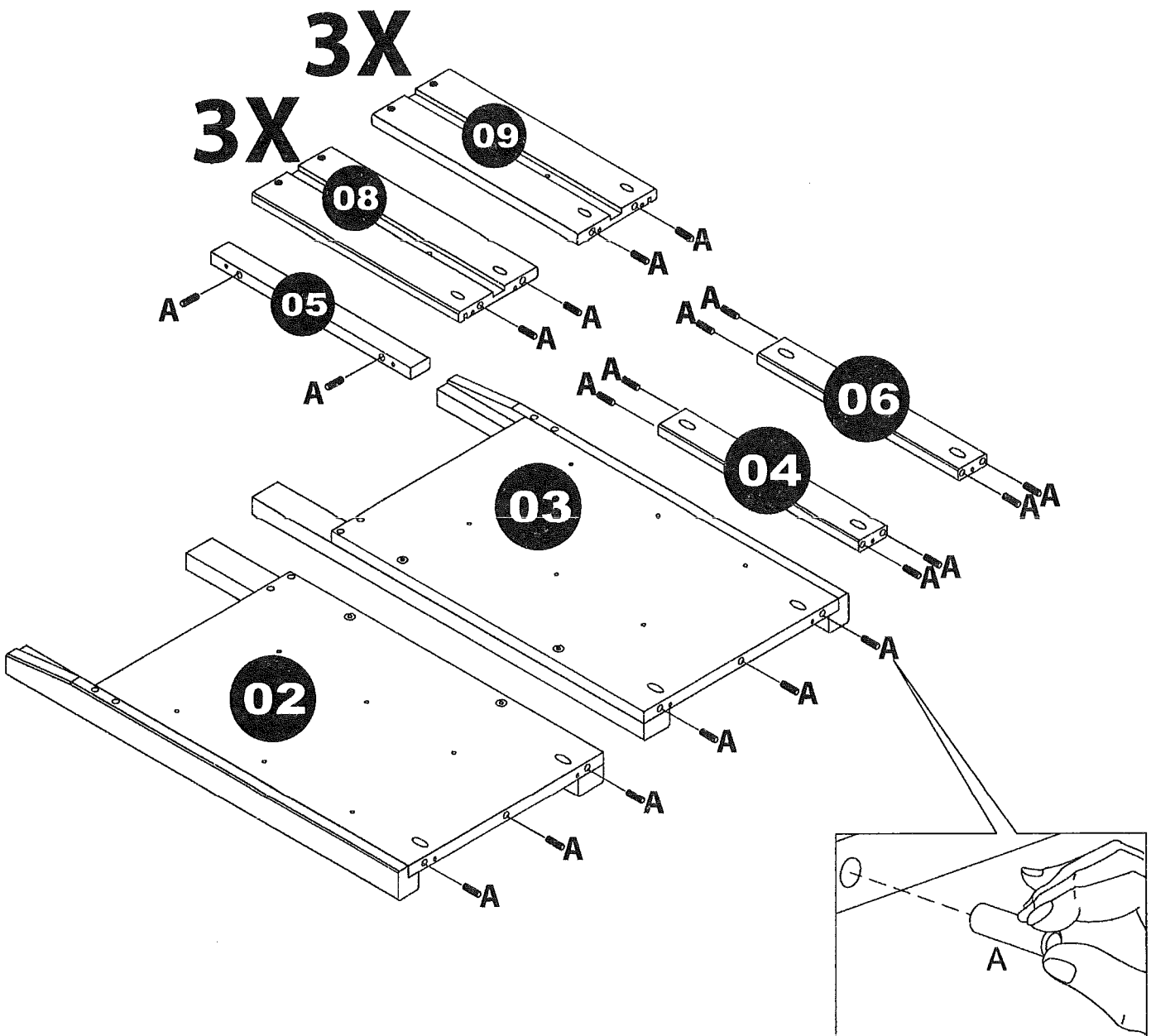
A=34 DOWEL  8.0 x 30mm	B=32 SCREW  3.5 x 30mm	H=05  screw 4.0 x 40 mm	D=12 RUNNER CABINET SCREW  6.0 x 10mm	E=06 RUNNER 
F=15 BACK PANEL NAIL 	G=06 RUNNER DRAWER SIDE SCREW  M4 x 11mm	I=03  Knob		

1

PREPARE PARTS FOR ASSEMBLY

INSERT DOWELS INTO THE PARTS, AS SHOWN.

IF NEEDED, REFER TO THE NOTE ON PAGE 3 REGARDING DOWELS.



2

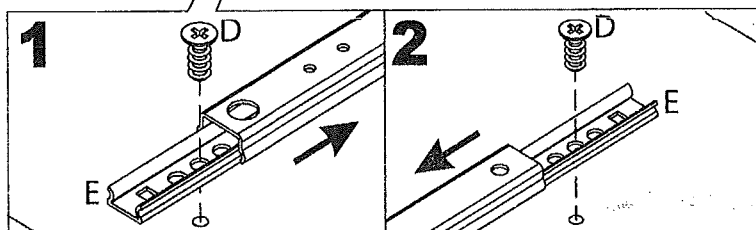
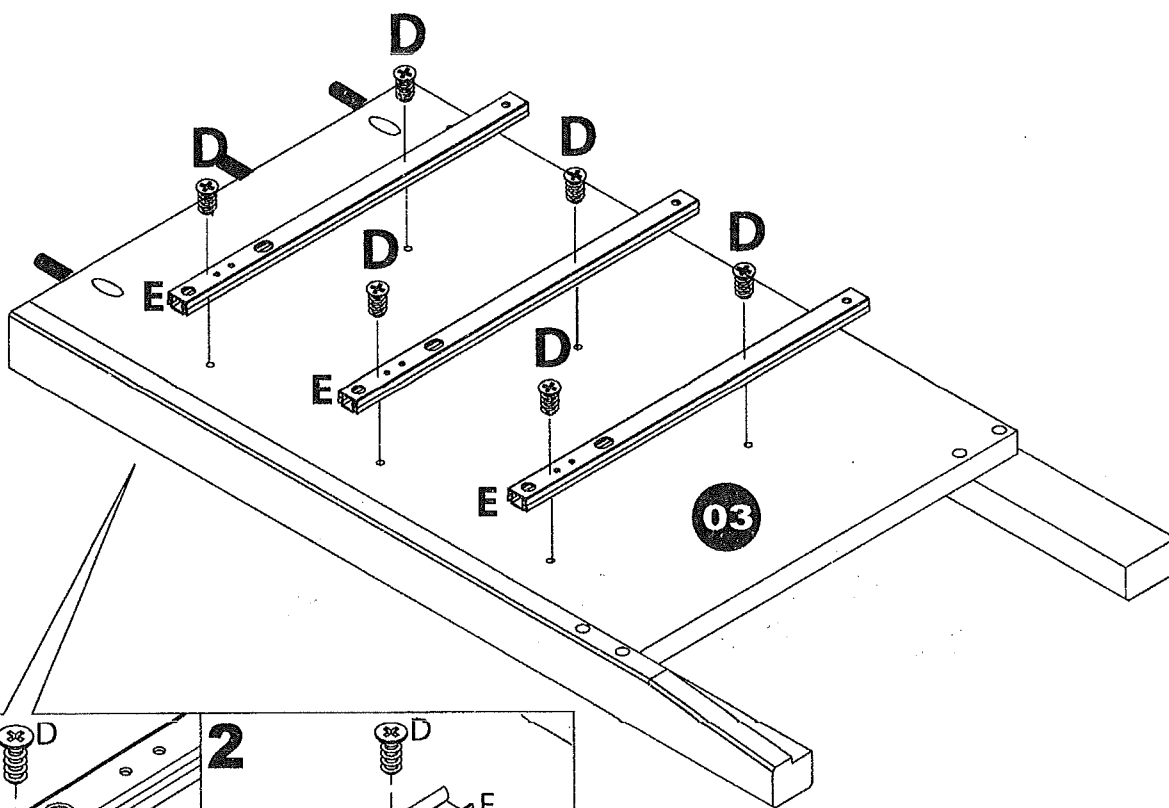
ATTACH DRAWER RUNNERS TO THE LEFT SIDE PANEL

1. SLIDE THE TOP OF THE DRAWER RUNNER TO THE RIGHT TO EXPOSE THE HOLE FOR THE SCREW.

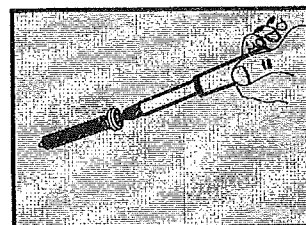
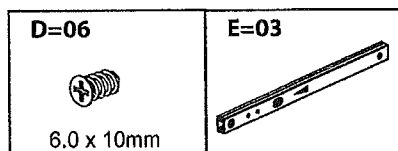
2. SECURE THE RUNNER USING THE HOLE PICTURED IN DIAGRAM 1. IT SHOULD LINE UP WITH THE PRE-DRILLED HOLE IN THE SIDE PANEL.

3. SLIDE THE TOP OF THE RUNNER TO THE LEFT TO EXPOSE THE HOLE.

4. SECURE THE RUNNER USING THE HOLE SHOWN IN DIAGRAM 2.



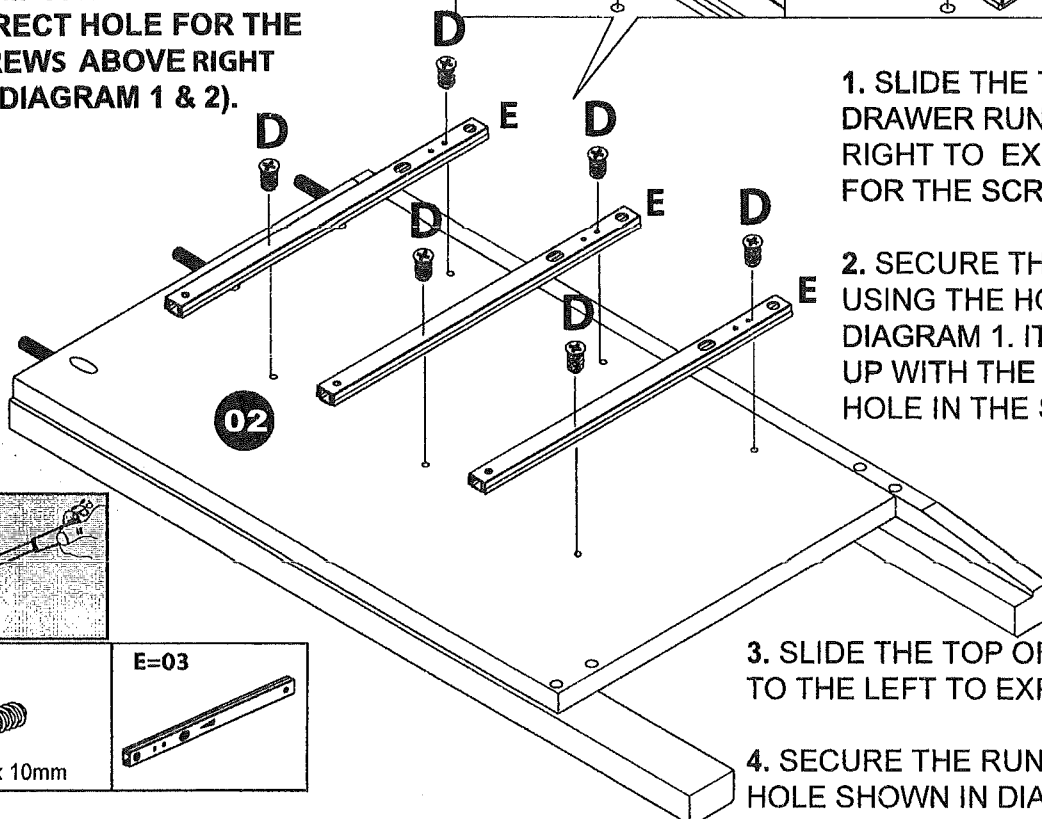
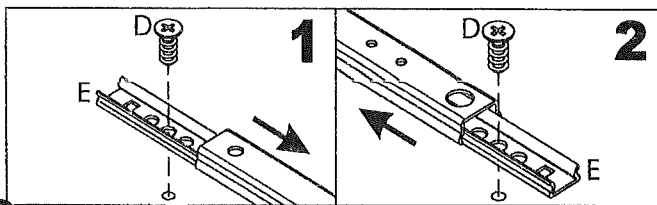
IMPORTANT! SEE CORRECT HOLE FOR THE SCREWS ABOVE (DIAGRAMS #1 & 2).



3

ATTACH DRAWER RUNNERS TO THE RIGHT SIDE PANEL

IMPORTANT! SEE CORRECT HOLE FOR THE SCREWS ABOVE RIGHT (DIAGRAM 1 & 2).

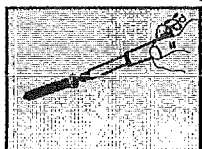


1. SLIDE THE TOP OF THE DRAWER RUNNER TO THE RIGHT TO EXPOSE THE HOLE FOR THE SCREW.

2. SECURE THE RUNNER USING THE HOLE PICTURED IN DIAGRAM 1. IT SHOULD LINE UP WITH THE PRE-DRILLED HOLE IN THE SIDE PANEL.

3. SLIDE THE TOP OF THE RUNNER TO THE LEFT TO EXPOSE THE HOLE.

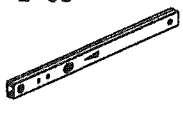
4. SECURE THE RUNNER USING THE HOLE SHOWN IN DIAGRAM 2.



D=06

E=03

6.0 x 10mm

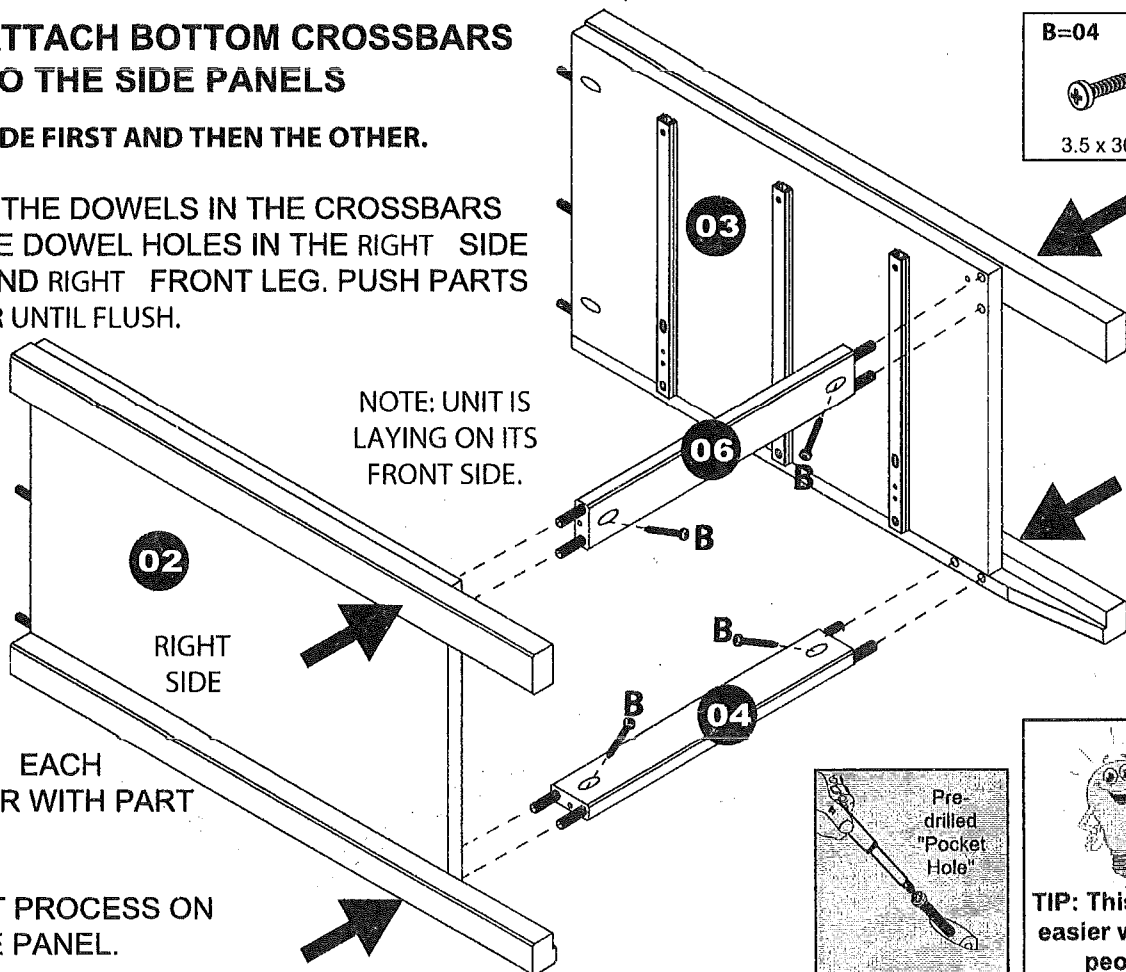


4

ATTACH BOTTOM CROSSBARS TO THE SIDE PANELS

DO ONE SIDE FIRST AND THEN THE OTHER.

1. ALIGN THE DOWELS IN THE CROSSBARS WITH THE DOWEL HOLES IN THE RIGHT SIDE PANEL AND RIGHT FRONT LEG. PUSH PARTS TOGETHER UNTIL FLUSH.



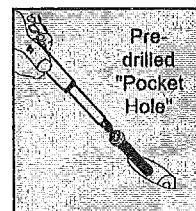
B=04

3.5 x 30mm

2. SECURE EACH CROSSBAR WITH PART B SCREW.

3. REPEAT PROCESS ON LEFT SIDE PANEL.

NOTE: UNIT IS LAYING ON ITS FRONT SIDE.



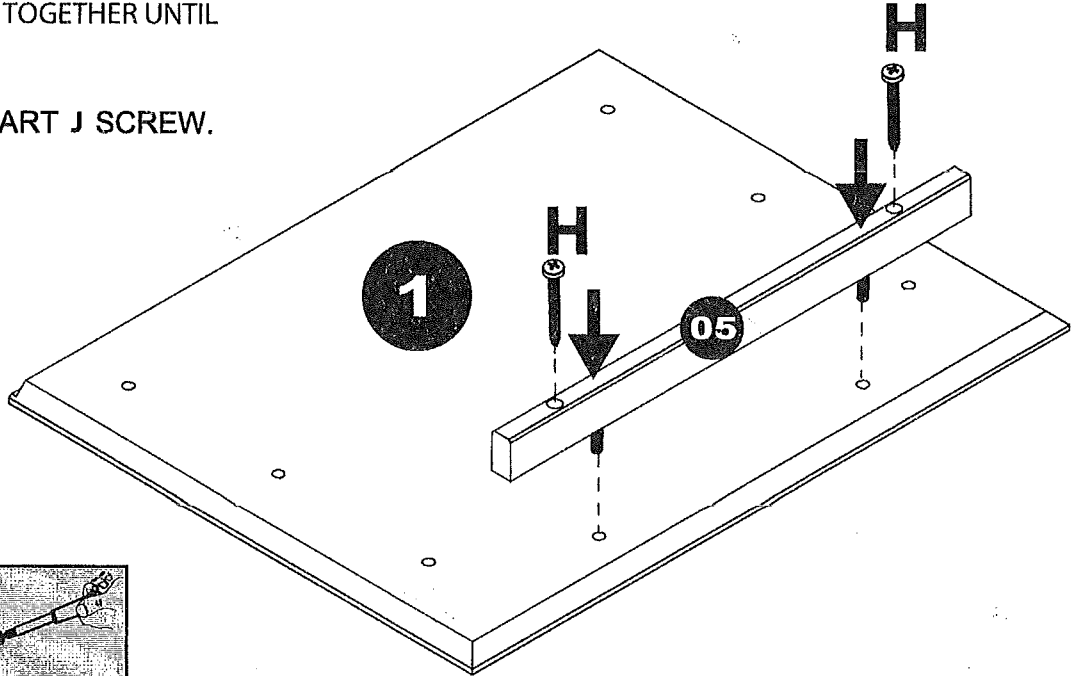
TIP: This step is easier with two people.

5

ATTACH THE TOP CROSSBAR

1. ALIGN THE DOWELS IN THE TOP CROSSBAR WITH THE DOWEL HOLES IN THE FRONT UNDERSIDE OF THE TOP PANEL . PUSH PARTS TOGETHER UNTIL FLUSH.

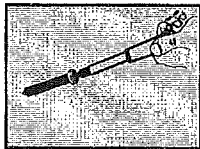
2. SECURE WITH PART J SCREW.



H=02 SCREW




4.0 x 40mm

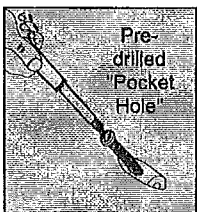
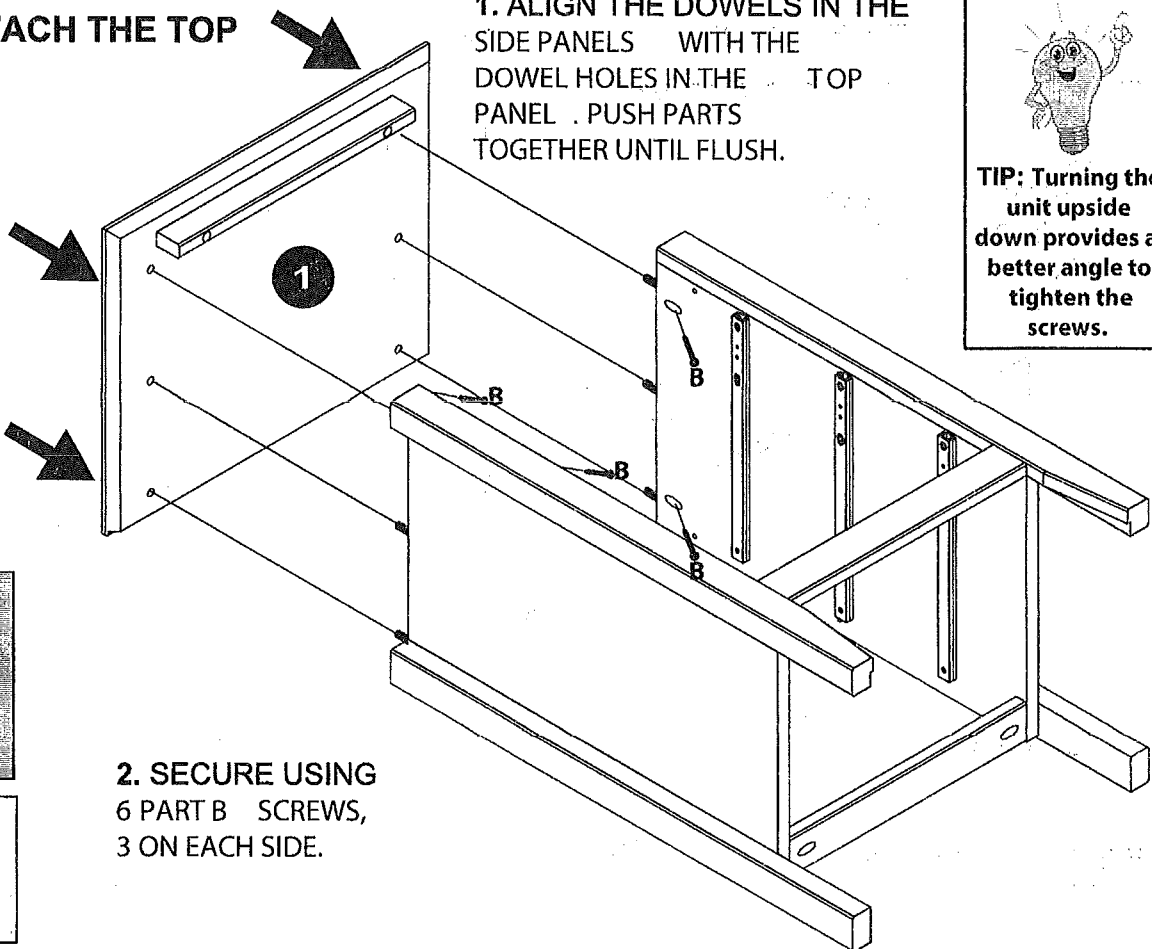


6

ATTACH THE TOP

1. ALIGN THE DOWELS IN THE SIDE PANELS WITH THE DOWEL HOLES IN THE TOP PANEL . PUSH PARTS TOGETHER UNTIL FLUSH.


TIP: Turning the unit upside down provides a better angle to tighten the screws.



Pre-drilled "Pocket Holes"

B=04

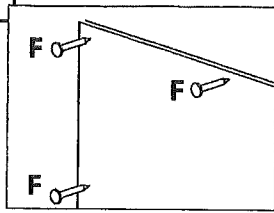


3.5 x 30mm

2. SECURE USING 6 PART B SCREWS, 3 ON EACH SIDE.

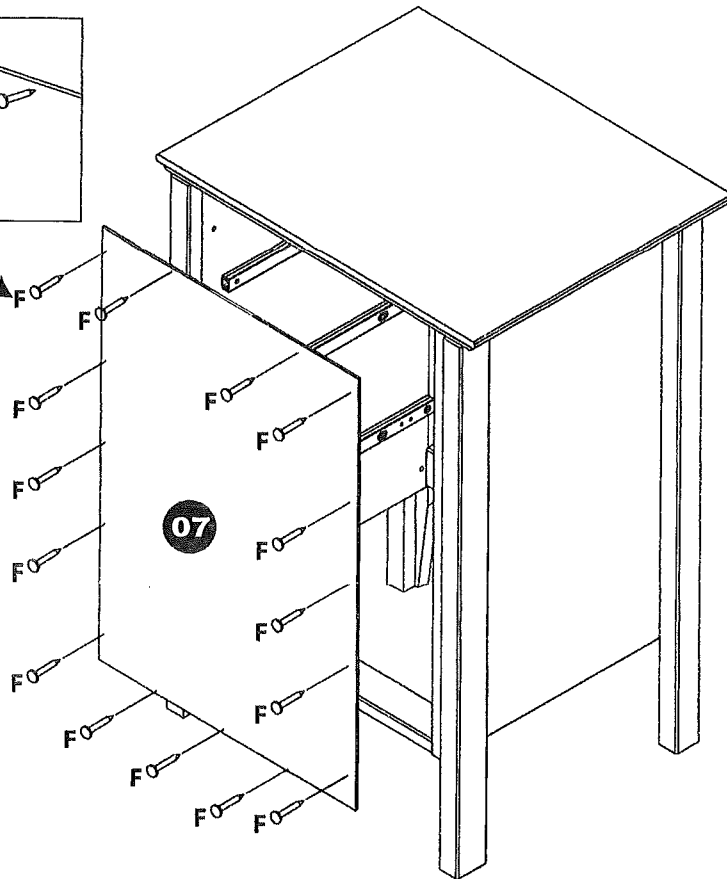
7

ATTACH THE BACK PANEL

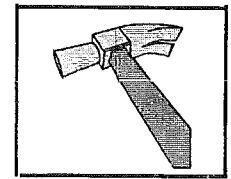


1. MAKE SURE THE BACK PANEL FITS IN THE GROOVE ON THE BACK OF THE TOP PANEL.

2. SECURE THE BACK PANEL WITH THE BACK PANEL NAILS.



Use all back panel nails. Evenly spaced, they help make the unit strong.



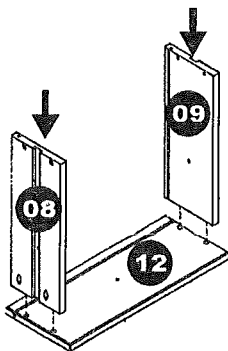
F=15



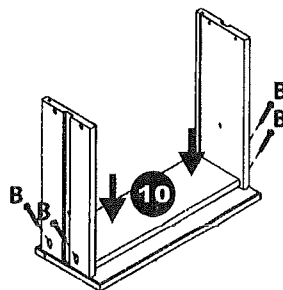
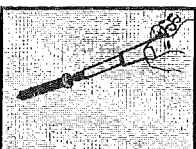
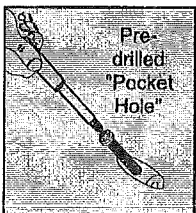
8

ASSEMBLE THE DRAWER BOX - 3x

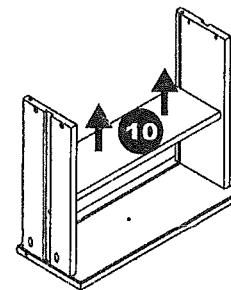
IMPORTANT! MAKE SURE THE GROOVES IN THE DRAWER FRONT AND BOTH SIDES ALL ALIGN BEFORE TIGHTENING THE SCREWS.



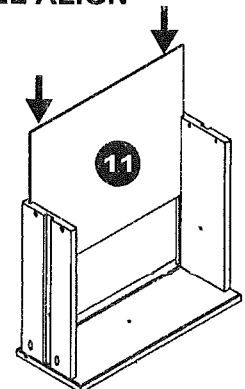
1. ALIGN THE DOWELS IN THE DRAWER SIDES WITH THE PRE-DRILLED HOLES IN THE DRAWER FRONT AND PUSH UNTIL THE PARTS ARE FLUSH.



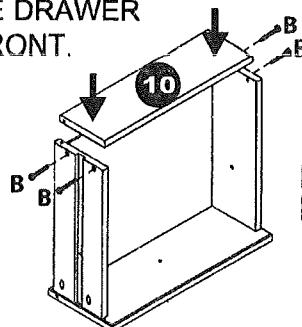
2. USE THE DRAWER BACK TO SUPPORT THE DRAWER SIDES. THEN SECURE THEM TO THE DRAWER FRONT.



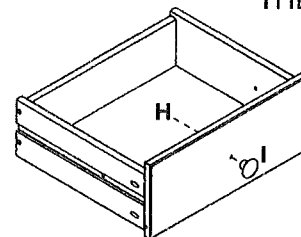
3. REMOVE THE DRAWER BACK.



4. SLIDE IN THE DRAWER BOTTOM. MAKE SURE IT IS ALL THE WAY FORWARD & IN THE GROOVE ON THE DRAWER FRONT.



5. SECURE THE DRAWER BACK.



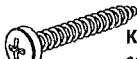
6. ATTACH THE KNOB TO THE DRAWER FRONT.

B=24



3.5 x 30mm

H=03



4.0 x 40mm

I=03



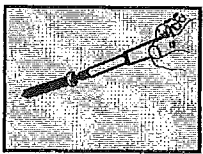
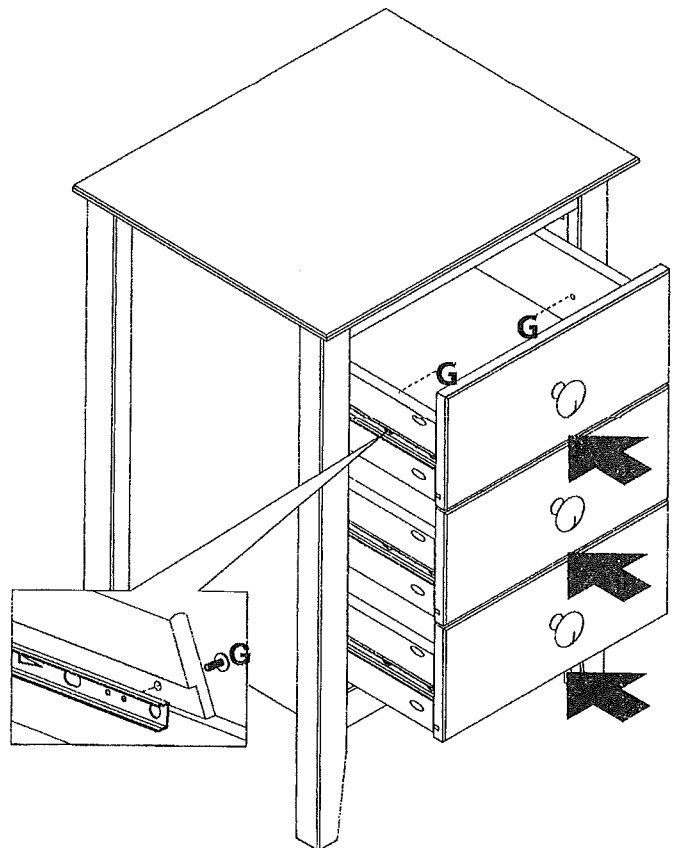
Knob

9

INSTALL THE DRAWERS

NOTE: BEGIN WITH THE BOTTOM DRAWER AND WORK UP.

1. ALIGN THE GROOVES IN THE DRAWER SIDES WITH THE DRAWER RUNNERS.
2. PUSH THE DRAWER ALL THE WAY IN AND PULL BACK OUT.
3. MAKE SURE THE RUNNER IS POSITIONED INSIDE THE GROOVE SO THE CORRECT HOLE IN THE RUNNER LINES UP WITH THE PRE-DRILLED HOLE IN THE DRAWER SIDE. (SEE ENLARGED DIAGRAM.)
4. PUSH THE SCREW THROUGH THE DRAWER SIDE FROM THE INSIDE OF THE DRAWER INTO THE DRAWER RUNNER AND SECURE ON EACH SIDE.



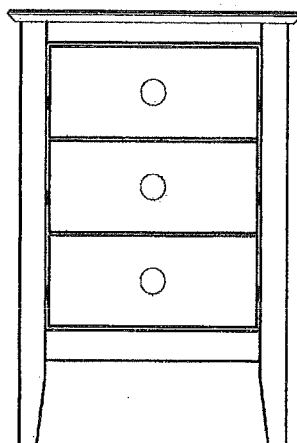
G=06



M4 x 10mm

COMPLETED ASSEMBLY!

THANK YOU FOR YOUR PURCHASE, AND WELCOME TO ADEPTUS!



CARE INSTRUCTIONS:

- NORMAL USE: WIPE WITH A CLEAN CLOTH.
- WHEN NEEDED TO CLEAN SCUFFS: WIPE CLEAN WITH A SLIGHTLY DAMP CLOTH AND A MILD CLEANER. THEN WIPE DRY WITH A CLEAN CLOTH. DO NOT USE HARSH CHEMICALS.
- PERIODICALLY CHECK THAT ALL OF THE SCREWS ON THE UNIT REMAIN TIGHT.

INTENDED USE:

- AS A SIDE OR ACCENT TABLE WITH STORAGE FOR MISCELLANEOUS HOUSEHOLD ITEMS.